

LOGIC

AV PRODUCTS CATALOGUE

PRODUCT PROFILE

LOGIC is a global industry leader in premium quality, superbly calibrated, top-notch AV integration products. Our clientele is diverse and spans Multinational Companies, Educational Institutes, Government Organizations, R&D, Healthcare, Hospitality, and Entertainment houses.

Our wide array of products comprises Projector Screens, Projector Mounts, Cable Cubbies, AV Cables, Display Mounts, Presenters, Faceplates, Switchers, and many more. They are not only state-of-the-art but cost-effective as well. Our unique offering is due to the continuous innovation that keeps us abreast with the latest technological know-how.

As an ISO 9001:2015 certified company, we ensure high standards of service records with an effective customer feedback mechanism, where taking inputs from customers and working on them is essential to our operation. LOGIC's clientele range from Asia, the Middle East, and the USA.

INDEX

CABLE MANAGERS / DESKTOP INTERFACES	3
FACEPLATES	20
AV CABLES	24
PROJECTOR MOUNTS	29
PROJECTOR LIFTS	32
PROJECTION SCREENS	37
DISPLAY MOUNT BRACKETS	43
FLOOR BOXES	73
TABLET DOCKING STATIONS	75
PRESENTATION DEVICES	77
SWITCHING INTERFACES	78
AV CONSUMABLES	93

CABLE MANAGERS / DESKTOP INTERFACES

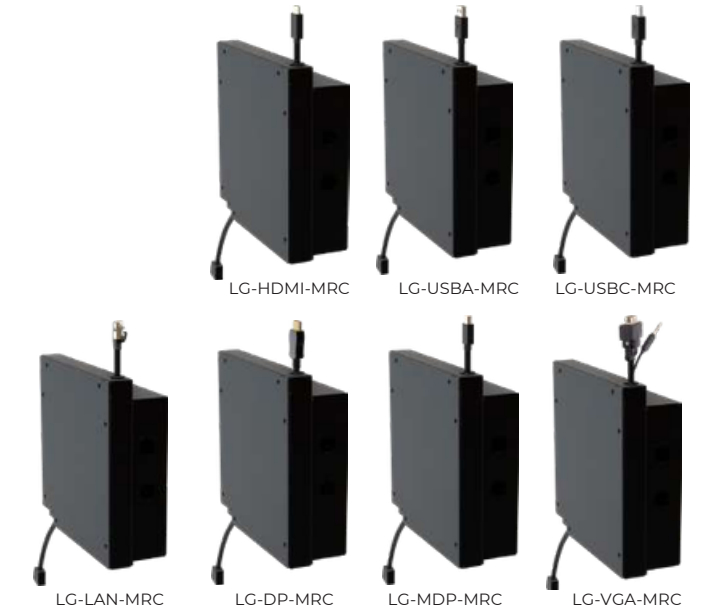


MOTORIZED RETRACTABLE CABLE MANAGER NEW

LG-804MRC-N23

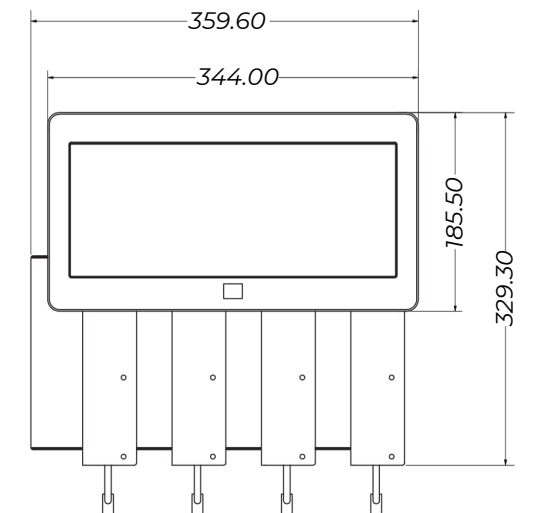
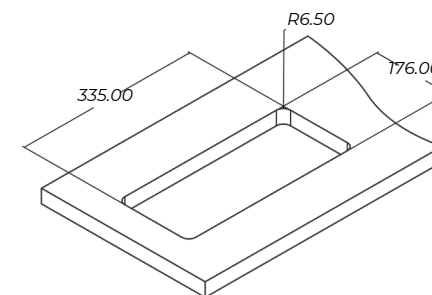


Available Connectivity Modules :



Features

- | Experience the effortless operation of a Push Button lid with just a single press button
- | A compact cable manager enclosure (LG-804MRC-N23) provision to fix any 4 modules i.e. HDMI 2.0V, Type A USB 3.2 Gen 1, Type C USB 3.2 Gen 1, CAT 6 Network/RJ-45, DP 1.2V, Mini DP 1.2V and VGA+Audio (3.5mm) with round Male to Female cables
- | Enclosure Default connectivity comes with 2 x Universal Power Socket, 1 x USB-A Mobile Charger, 1 x USB-C Mobile Charger
- | Total Length of Cable used in retractor module : 3 m
- | Input Cable Length (Source) : 1.6 m
- | Output cable Length (Display) : 0.85 m
- | Rolling mechanism : 0.55 m
- | Indulge in the convenience of Pull and Stop functionality
- | Effortlessly cable retracts to the initial position by single press and hold
- | Product Weight : 3.1 kg
- | Shipping Weight : 3.7 kg
- | Shipping Dimension (L x W x H) : 400 x 210 x 170 mm
- | Color Available : Black



*Dimensions in mm

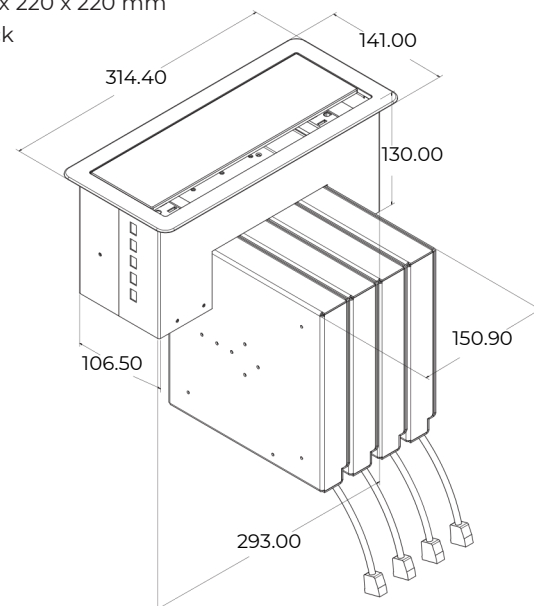
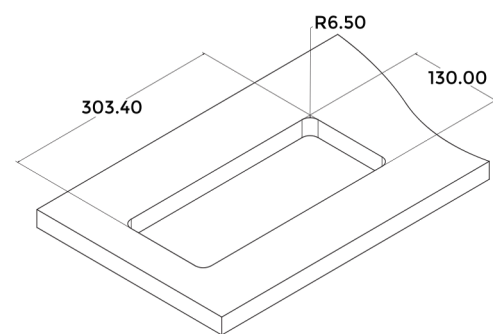


Available Connectivity Modules :



Features

- | A compact cable manager enclosure (LG-805RC2P4M) provision to fix any 4 modules i.e. HDMI 2.0V, Type A USB 3.2 Gen 1, Type C USB 3.2 Gen 1, CAT 6 Network/RJ-45, DP 1.2V, Mini DP 1.2V and VGA+Audio (3.5mm) with round Male to Female cables
- | Enclosure Default connectivity comes with 2 x Universal Power Socket, 1 x USB-A Mobile Charger
- | Combination of any 4 Modules
- | Intuitive Use - Pull and stop or pull and retract
- | Easy to Install
- | Total Length of Cable used in retractor module : 3 m
- | Input Cable Length (Source) : 1.4 m
- | Output cable Length (Display) : 0.8 m
- | Rolling mechanism : 0.8 m
- | Product Weight : 2.5 kg
- | Shipping Weight : 3.5 kg
- | Shipping Dimension (L x W x H) : 350 x 220 x 220 mm
- | Color Available : Black



*Dimensions in mm

SIDE SLIDING CABLE MANAGER

LM-306SS
MANUAL SERIES

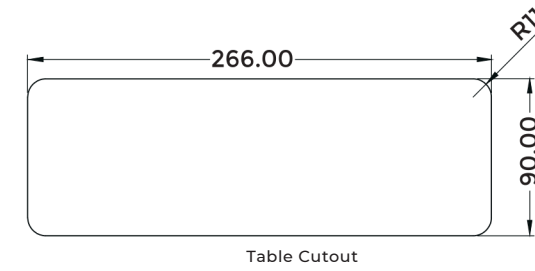
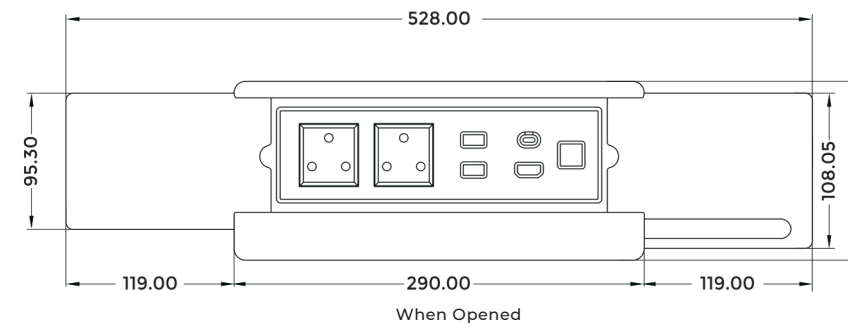


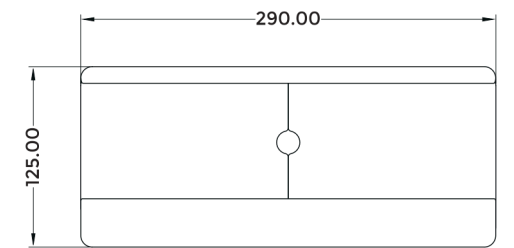
Table Cutout

Connectivity

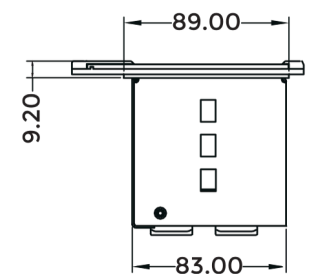
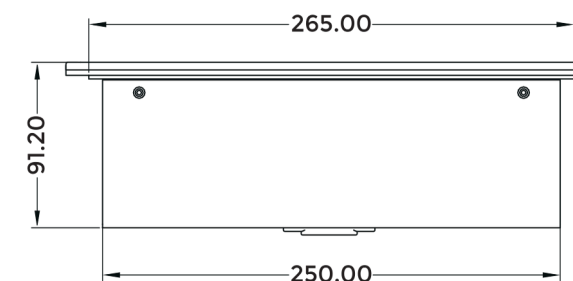
- | 2 x Universal Power
- | 2 x USB-A Mobile Charger
- | 1 x HDMI 2.0V
- | 1 x Type C USB 3.1V
- | 1 x CAT 6A Network/RJ-45



When Opened



When Closed



*Dimensions in mm

VERTICAL SLIDING CABLE MANAGER

LM-306VS-WC
MANUAL SERIES



*Mobile Wireless Charging

Connectivity

- | 1 x Wireless Mobile Charger
- | 2 x Universal Power Socket
- | 2 x USB-A Mobile Charger
- | 1 x HDMI 2.0V
- | 1 x Type C USB 3.1V
- | 1 x CAT 6A Network/RJ-45

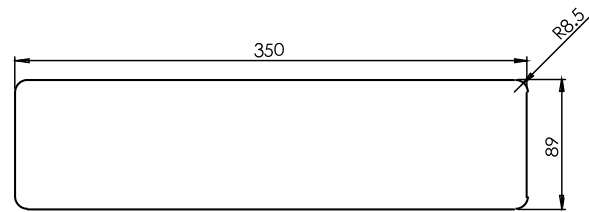
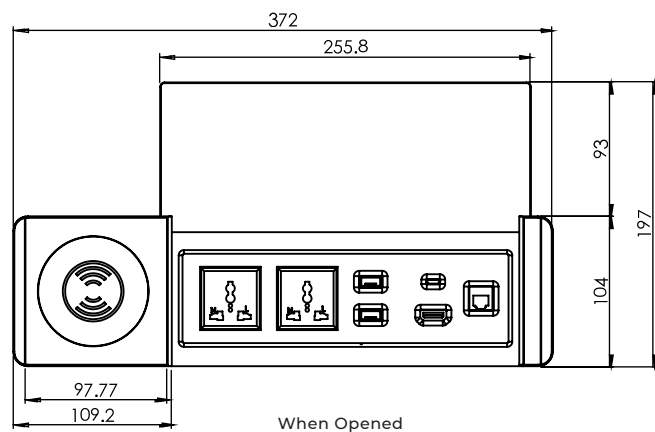
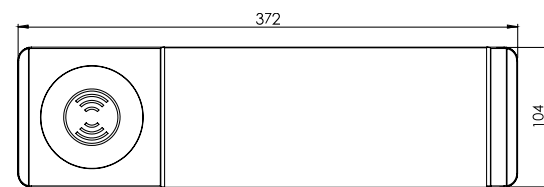


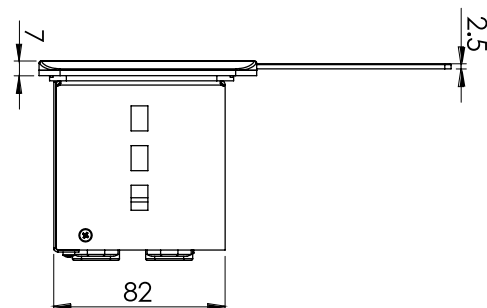
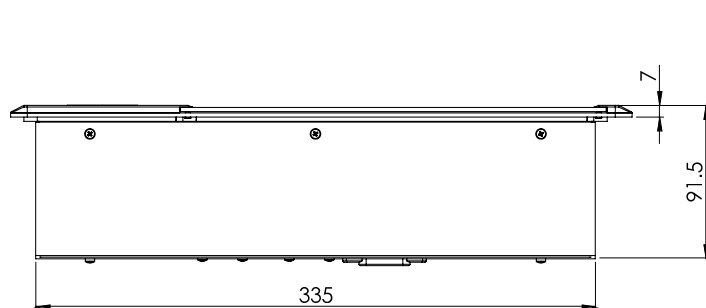
Table Cutout



When Opened

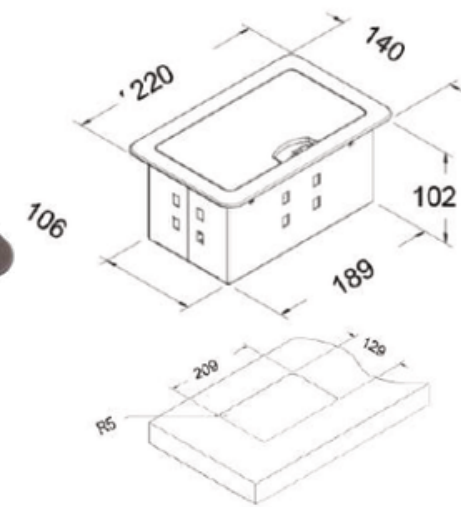


When Closed



*Dimensions in mm

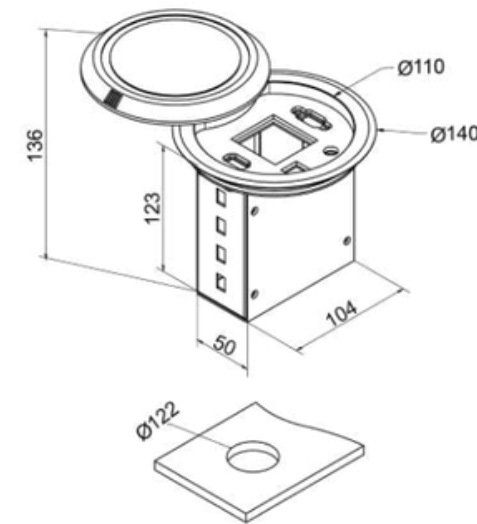
LM-302
MANUAL SERIES



Connectivity

- | 2 x Universal Power
- | 1 x USB-A Mobile Charger
- | 1 x HDMI 2.0V
- | 2 x CAT 6 Network/RJ-45
- || 1 x 3.5 mm Audio
- | 1 x VGA

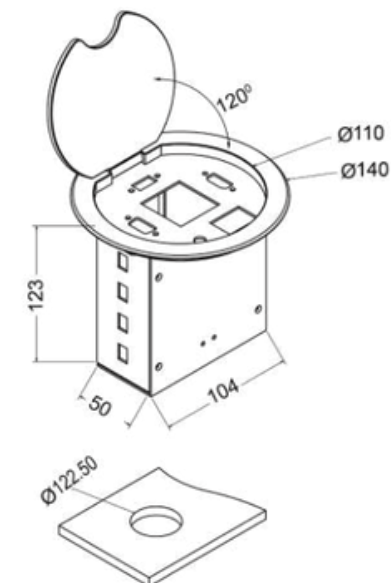
LM-305WC-N19
MANUAL SERIES



Connectivity

- || 1 x Wireless Mobile Charger
- | 1 x Universal Power
- | 1 x HDMI 2.0V
- || 1 x CAT 6A Network/RJ-45
- | 1 x 3.5 mm Audio
- | 1 x VGA

LM-305-N19
MANUAL SERIES



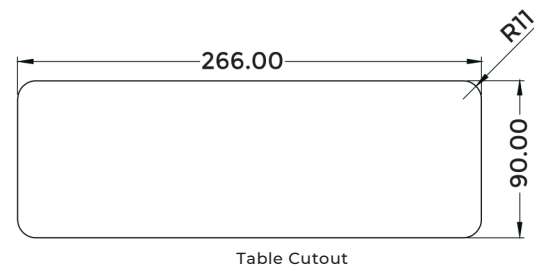
Connectivity

- || 1 x Universal Power
- | 1 x USB-A Mobile Charger
- | 1 x HDMI 2.0V
- | 1 x CAT 6A Network/RJ-45
- | 1 x 3.5 mm Audio
- | 1 x VGA

*Dimensions in mm

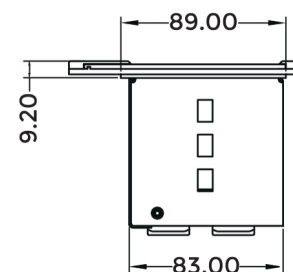
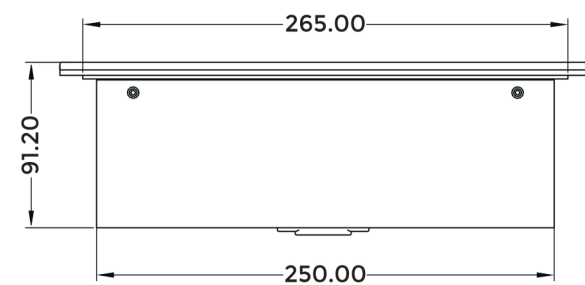
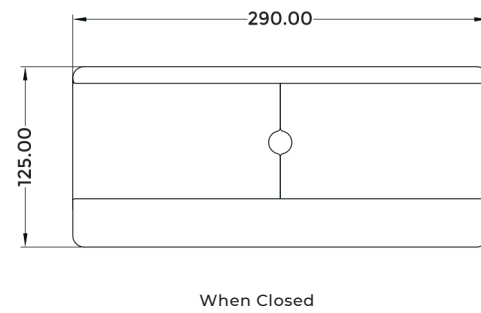
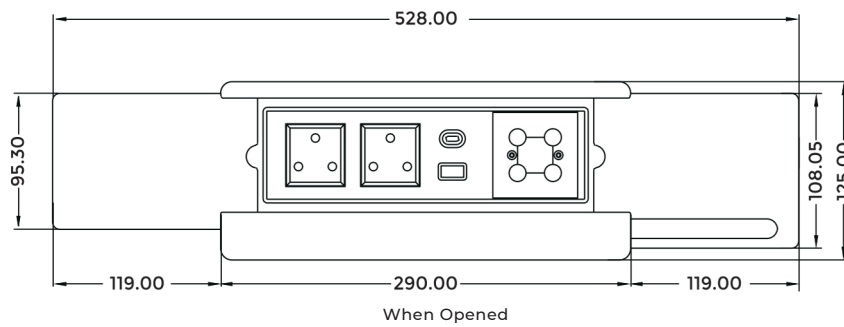
SIDE SLIDING CABLE MANAGER

LC-406SS
CABLE CUBBY SERIES



Connectivity

- | 2 x Universal Power 1 x
- | USB-A Mobile Charger 1 x
- | USB-C Mobile Charger
- | 1 x HDMI 2.0V
- | 1 x Type A USB 3.2 Gen 1
- | 1 x Type C USB 3.2 Gen 1
- | 1 x CAT 6 Network/RJ-45



*Dimensions in mm

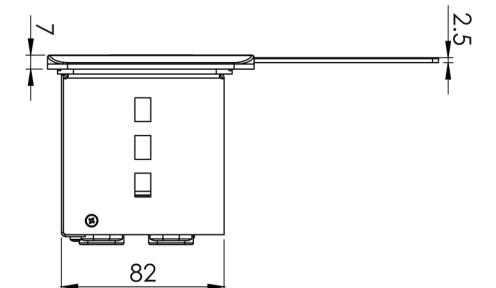
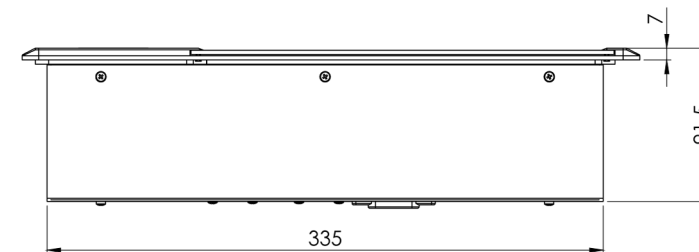
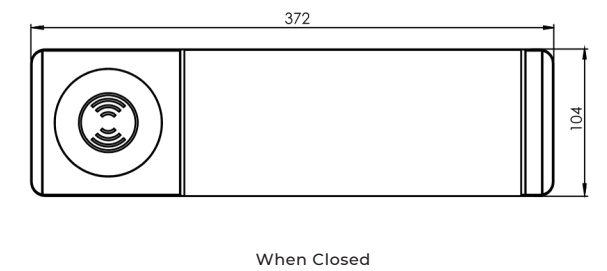
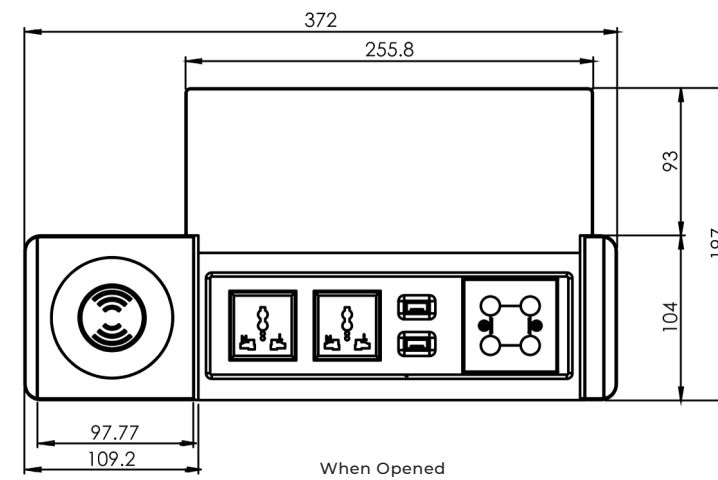
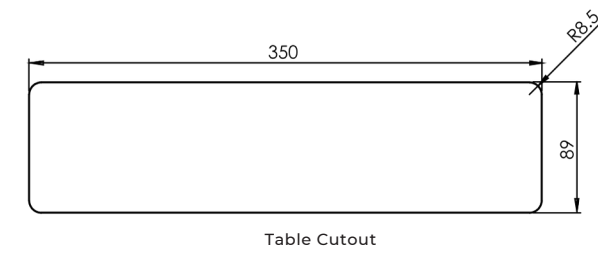
VERTICAL SLIDING CABLE MANAGER

LC-406VS-WC
CABLE CUBBY SERIES



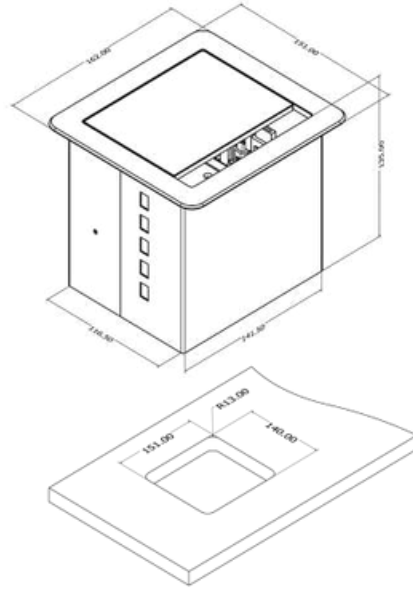
Connectivity

- | 1 x Wireless Mobile Charger
- | 2 x Universal Power Socket
- | 2 x USB-A Mobile Charger
- | 1 x HDMI 2.0V
- | 1 x Type A USB 3.2 Gen 1
- | 1 x Type C USB 3.2 Gen 1
- | 1 x CAT 6 Network/RJ-45



*Dimensions in mm

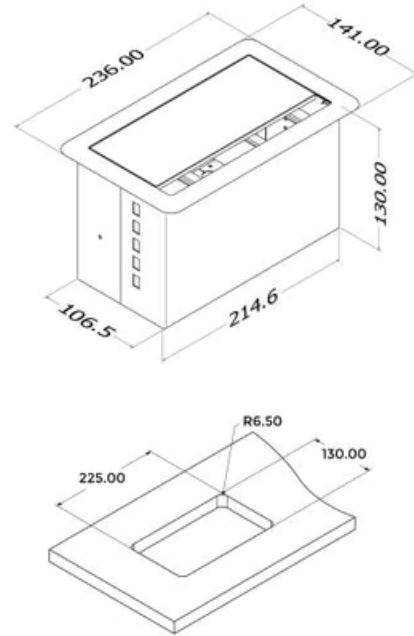
LC-403-N19
CABLE CUBBY SERIES



- Connectivity**
- | 1 x Universal Power
 - | 1 x USB-A Mobile Charger
 - | 2 x HDMI 2.0V
 - | 1 x Type A USB 3.2 Gen 1
 - | 1 x Type C USB 3.2 Gen 1
 - | 2 x CAT 6 Network/RJ-45
- Available Options**
- | 1 x Mini DP 1.2V
 - | 1 x 3.5 mm Audio
 - | 1 x VGA

Note: Combination of any 6 cables

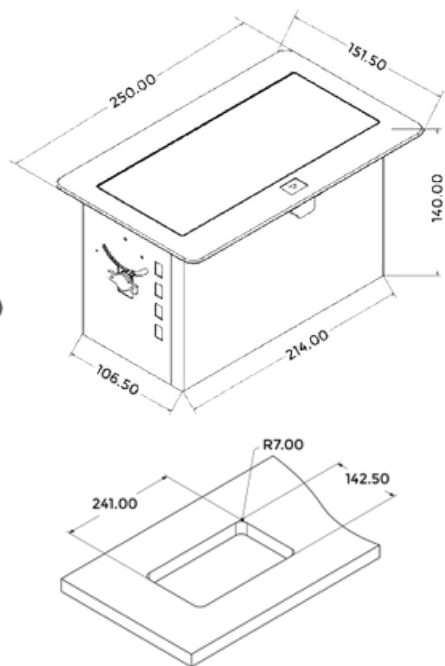
LC-404-N19
CABLE CUBBY SERIES



- Connectivity**
- || 2 x Universal Power
 - | 1 x USB-A Mobile Charger
 - | 1 x USB-C Mobile Charger
 - | 2 x HDMI 2.1V
 - | 1 x Type A USB 3.2 Gen 1
 - | 1 x Type C USB 3.2 Gen 1
 - | 2 x CAT 6 Network/RJ-45
- Available Options**
- || 1 x Mini DP 1.2V
 - | 1 x 3.5 mm Audio
 - | 1 x VGA

Note: Combination of any 6 cables

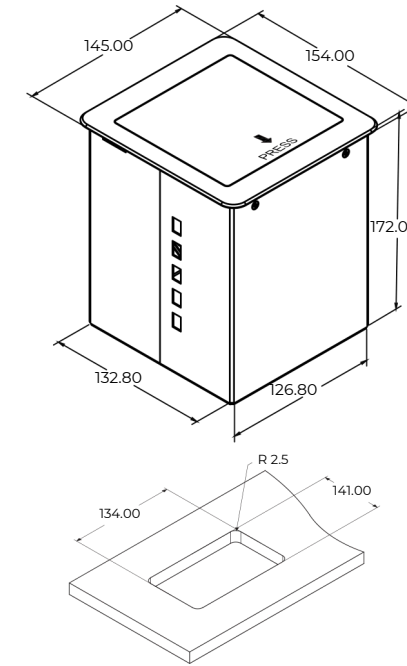
LC-404-N23 NEW
CABLE CUBBY SERIES



- Connectivity**
- || 2 x Universal Power
 - | 1 x USB-A Mobile Charger
 - | 1 x USB-C Mobile Charger
 - | 2 x HDMI 2.0V
 - | 1 x Type A USB 3.2 Gen 1
 - | 1 x Type C USB 3.2 Gen 1
 - | 2 x CAT 6 Network/RJ-45
- Available Options**
- || 1 x Mini DP 1.2V
 - | 1 x 3.5 mm Audio
 - | 1 x VGA

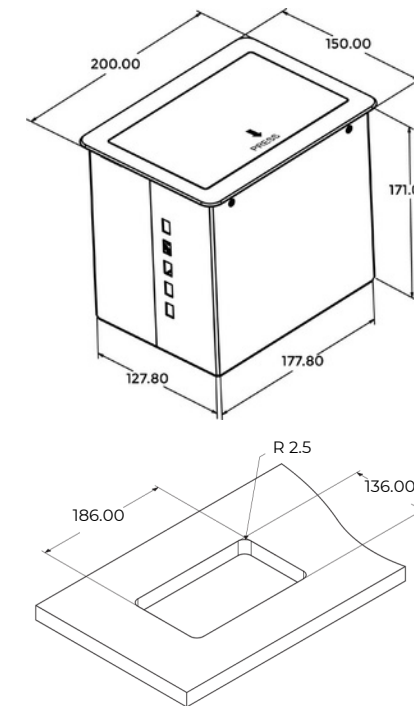
Note: Combination of any 6 cables

LG-501H-IN
HYDRAULIC SERIES



- Connectivity**
- || 1 x Universal Power
 - | 1 x USB-A Mobile Charger
 - | 1 x HDMI 2.0V
 - | 1 x Type C USB 3.1V
 - | 1 x CAT 6A Network/RJ-45

LG-502H-IN
HYDRAULIC SERIES



- Connectivity**
- || 2 x Universal Power
 - | 2 x USB-A Mobile Charger
 - | 1 x HDMI 2.0V
 - | 1 x Type C USB 3.1V
 - | 2 x CAT 6A Network/RJ-45

*Dimensions in mm

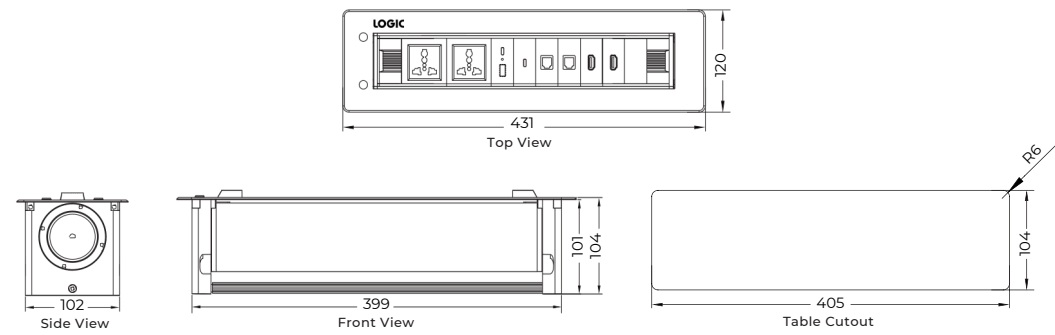
*Dimensions in mm

LG-603M NEW
ROTATING MOTORIZED SERIES



Connectivity

- | 2 x Universal Power
- | 1 x USB-A Mobile Charger
- | 1 x USB-C Mobile Charger
- | 2 x HDMI 2.0V
- | 1 x Type-C USB 3.2 Gen 2
- | 2 x CAT 6 Network/RJ-45

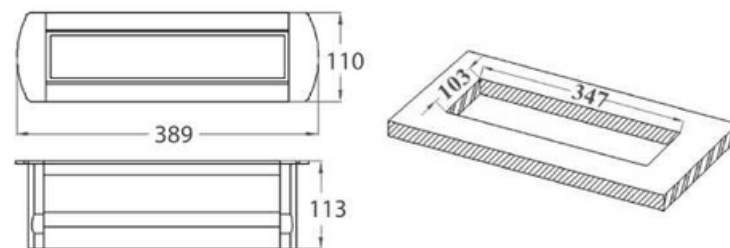


LG-601R
ROTATING MANUAL SERIES



Connectivity

- | 2 x Universal Power
- | 2 x USB-A Mobile Charger
- | 1 x HDMI 2.0V
- | 2 x CAT 6 Network/RJ-45
- | 1 x 3.5 mm Audio
- | 1 x VGA



*Dimensions in mm

LG-MAR01
MULTI ADAPTER RING



Connectivity



LG-MAR02
MULTI ADAPTER RING - 4 INCH CABLE



Connectivity

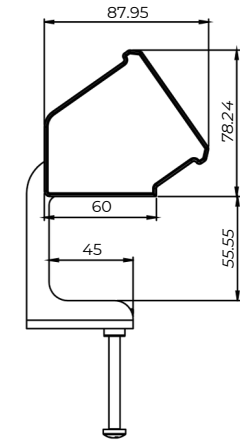
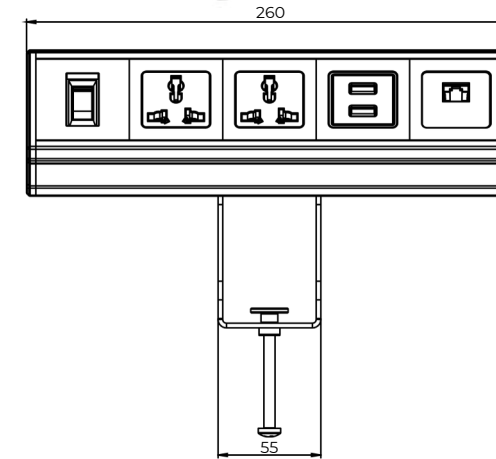


Note: There is a provision for connecting MFI Certified Lightning to HDMI Cable (Optional)

WORKSTATION CABLE MANAGERS



LG-ITF-PD NEW



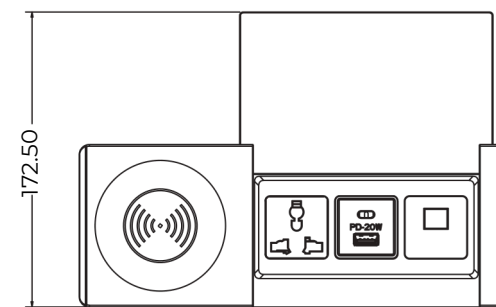
Connectivity

- || 1 x Power On & Off Switch
- || 2 x Universal Power 1 x
- | USB-A Mobile Charger 1 x
- USB-C Mobile Charger
- 1 x CAT 6A Network/RJ-45

LG-ITF-306VS-WC NEW



*Mobile Wireless Charging



When Opened

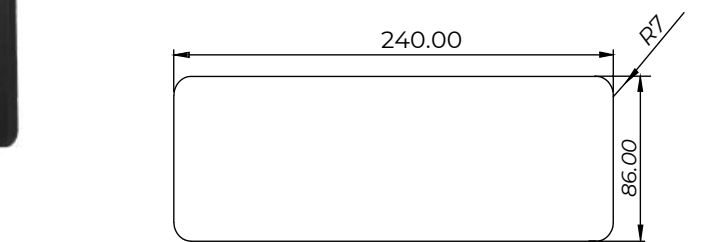
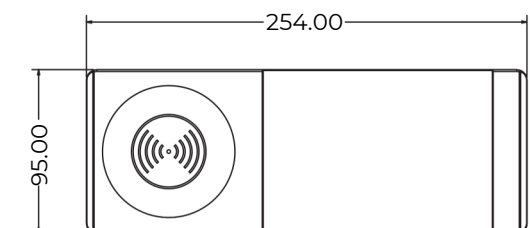


Table Cutout



When Closed

Connectivity

- || 1 x Mobile Wireless Charger
- || 1 x Universal Power 1 x
- | USB-A Mobile Charger 1 x
- USB-C Mobile Charger
- 1 x CAT 6A Network/RJ-45

*Dimensions inmm

LG-ITF-306VS **NEW**



Connectivity

- || 1 x Universal Power 1 x
- | USB-A Mobile Charger 1 x
- | USB-C Mobile Charger
- 1 x CAT 6A Network/RJ-45

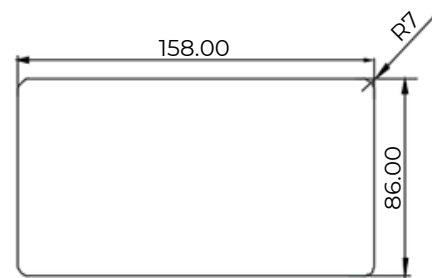
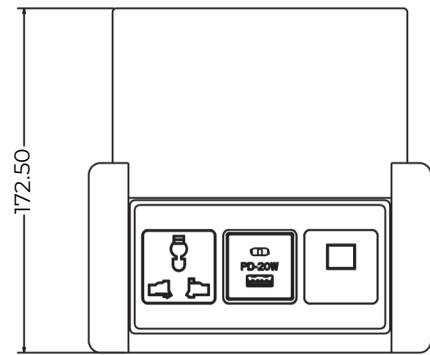
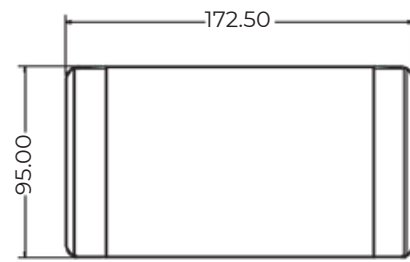


Table Cutout

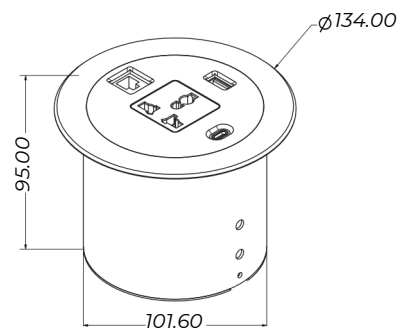


When Opened



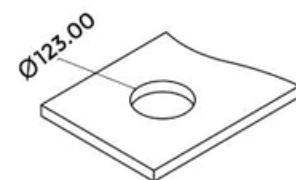
When Closed

LG-ITF-305 **NEW**



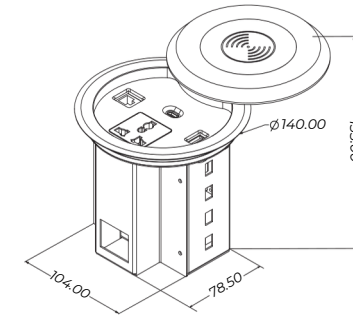
Connectivity

- || 1 x Universal Power 1 x
- | USB-A Mobile Charger 1 x
- | USB-C Mobile Charger
- 1 x CAT 6A Network/RJ-45



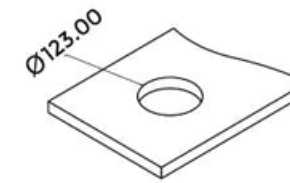
*Dimensions in mm

LG-ITF-305WC **NEW**



Connectivity

- || 1 x Mobile Wireless Charger
- || 1 x Universal Power 1 x
- | USB-A Mobile Charger 1 x
- | USB-C Mobile Charger
- 1 x CAT 6A Network/RJ-45

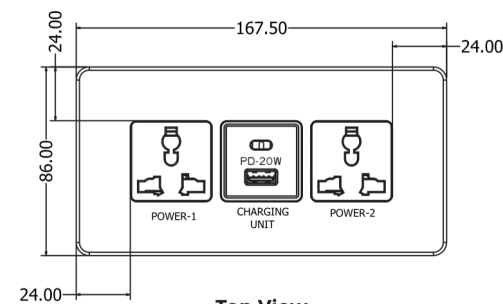


LG-ITF-307 **NEW**

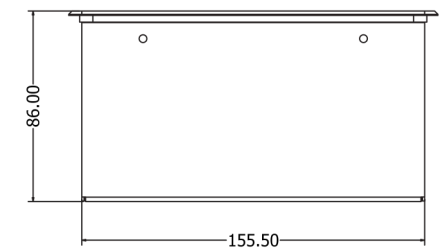


Connectivity

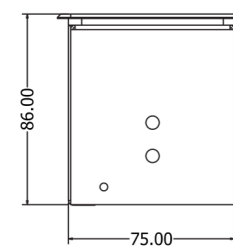
- || 2 x Universal Power 1 x
- | USB-A Mobile Charger 1 x
- USB-C Mobile Charger



Top View



Front View



Side view

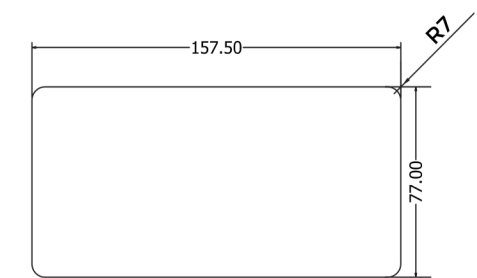
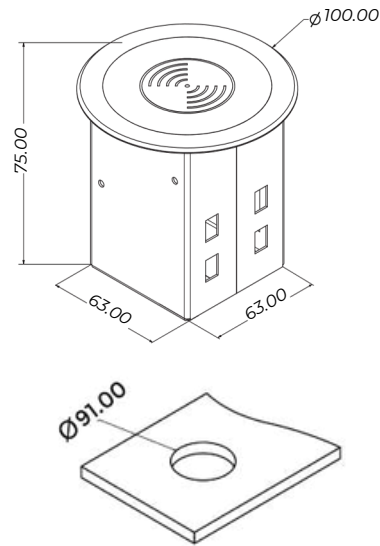


Table Cutout

*Dimensions in mm

WORKSTATION MOBILE WIRELESS CHARGER

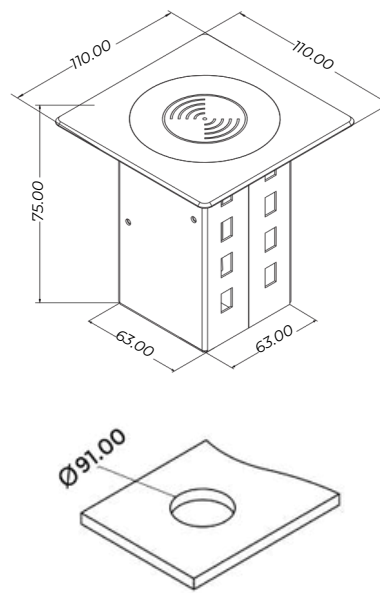
LG-WC15W-R **NEW**



Connectivity

- 1 x Mobile Wireless Charger

LG-WC15W-S **NEW**



Connectivity

- 1 x Mobile Wireless Charger

*Dimensions in mm

FACEPLATES

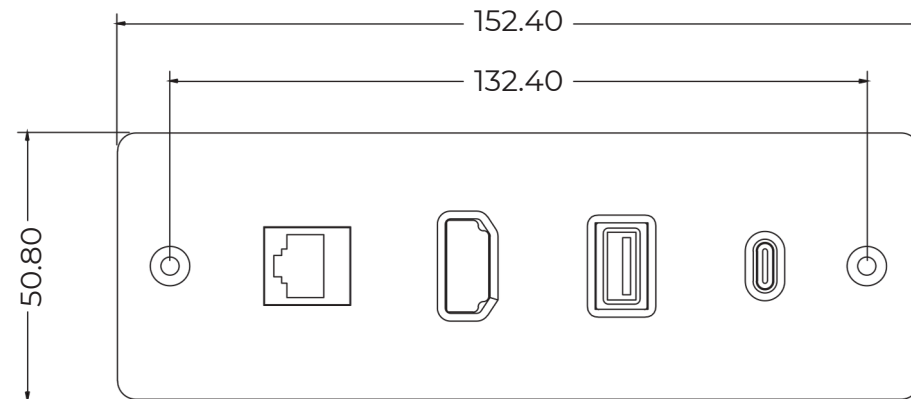


FIXED FACEPLATE

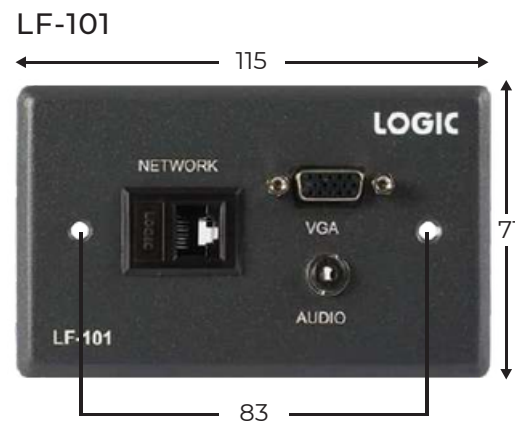


Connectivity

- 1 x CAT 6A Network/RJ-45
- 1 x HDMI 2.0V
- 1 x Type A USB 3.0V
- 1 x Type C USB 3.2 Gen 1
- Available in Black



FRONT VIEW



Connectivity

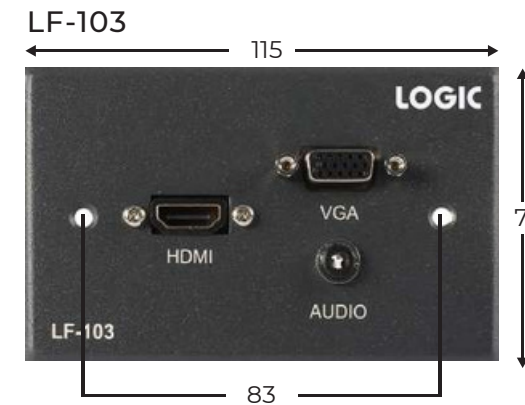
- 1 x CAT 5E Network/RJ-45
- 1 x VGA
- 1 x 3.5 mm Audio
- Back box will be optional



Connectivity

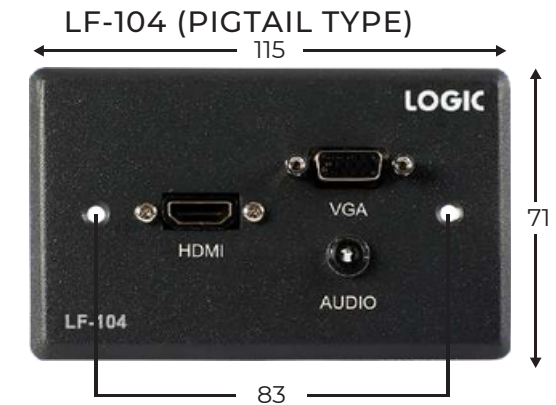
- 1 x VGA
- 1 x HDMI 2.0V
- 1 x USB-A 1.0V
- 1 x 3.5 mm Audio and Audio (R/L)
- 1 x Component
- Back box will be optional

Fixed Faceplates



Connectivity

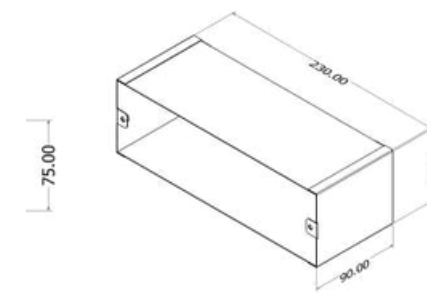
- 1 x HDMI 2.0V
- 1 x VGA
- 1 x 3.5 mm Audio
- Back box will be optional



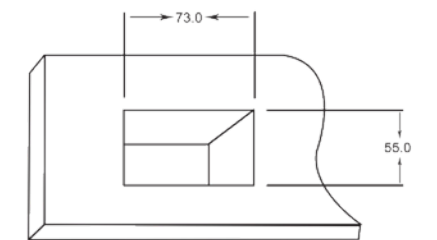
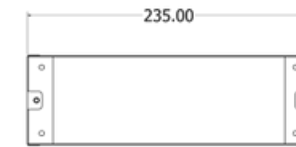
Connectivity

- 1 x HDMI 2.0V
- 1 x VGA
- 1 x 3.5 mm Audio
- Back box will be optional.

Back Box for LF-101, LF-102, LF-103 & LF-104



Back Box



Cut-Out



Connectivity

- 1 x Universal Power
- 2 x CAT 6A Network/RJ-45
- 1 x HDMI 2.0V
- 1 x USB-A 1.0V
- 1 x VGA
- 1 x 3.5 mm Audio
- Back box will be optional

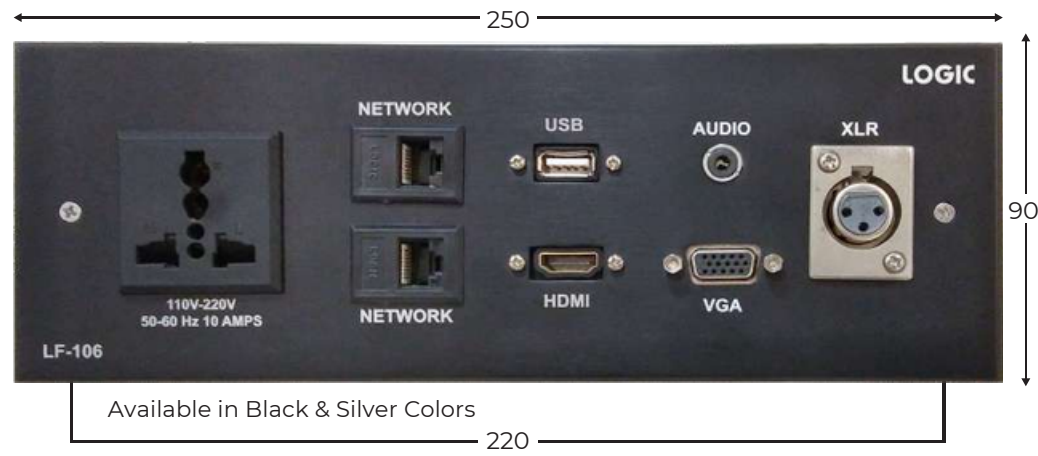
Available in Black & Silver Colors

*Dimensions in mm

*Dimensions in mm

Fixed Faceplates

LF-106

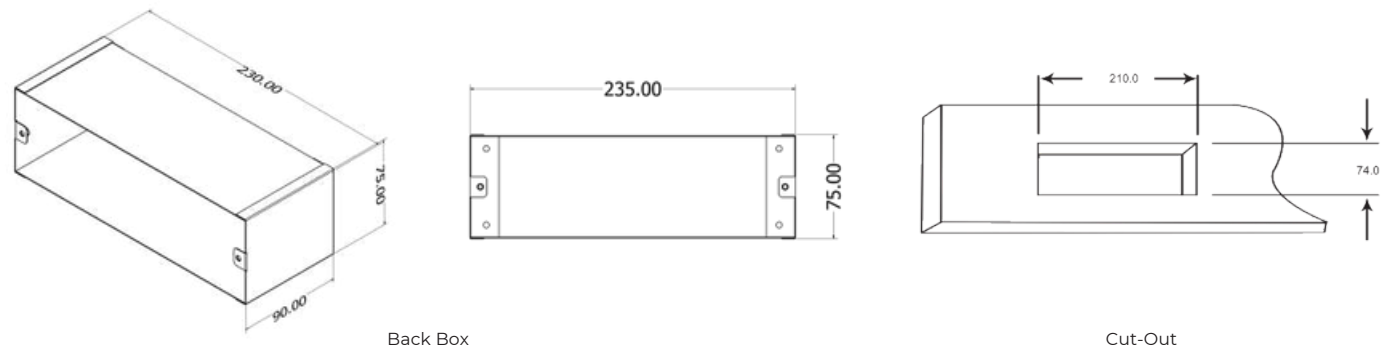


Available in Black & Silver Colors

Connectivity

- | 1 x Universal Power
- | 2 x CAT 6A Network/RJ-45
- | 1 x HDMI 2.0V
- | 1 x USB-A 1.0V
- | 1 x VGA
- | 1 x 3.5 mm Audio
- | 1 x XLR
- | Back box will be optional

Back Box for LF-105 & LF-106



Modular Faceplates



*Dimensions in mm

AV CABLES



LOGIC AV Cables

HDMI CABLE



Model	Description
LG-HC1.8MM	HDMI 2.0V Cable 1.8m - Male to Male Copper Cable
LG-HC10MM	HDMI 1.4V Cable 10m - Male to Male Copper Cable

USB 3.2 GEN 1 TYPE A TO TYPE A CABLE



Model	Description
LG-UAA1.8MM	USB 3.2 Gen 1 Type A to Type A Cable 1.8m - Male to Male Copper Cable
LG-UAA5MM	USB 3.2 Gen 1 Type A to Type A Cable 5m - Male to Male Copper Cable
LG-UAA10MM	USB 3.2 Gen 1 Type A to Type A Cable 10m - Male to Male Copper Cable

USB 3.2 GEN 1 TYPE C TO TYPE C CABLE



Model	Description
LG-UCC1.8MM	USB 3.2 Gen 1 Type C to Type C Cable 1.8m - Male to Male Copper Cable

USB 3.2 GEN 1 TYPE A TO TYPE C CABLE



Model	Description
LG-UAC1.8MM	USB 3.2 Gen 1 Type A to Type C Cable 1.8m - Male to Male Copper Cable
LG-UAC3MM	USB 3.2 Gen 1 Type A to Type C Cable 3m - Male to Male Copper Cable

LOGIC AV Cables

USB 3.2 GEN 1 TYPE A TO TYPE B CABLE



Model	Description
LG-UAB3MM	USB 3.2 Gen 1 Type A to Type B Cable 3m - Male to Male Copper Cable

GRANDLOGIC Professional AV Cables



HDMI CABLE-4K



Supports*



Model	Description
GL-PR-H1.8MM-4K	HDMI Cable 1.8m - Male to Male Copper Cable-4K
GL-PR-H3MM-4K	HDMI Cable 3m - Male to Male Copper Cable-4K
GL-PR-H5MM-4K	HDMI Cable 5m - Male to Male Copper Cable-4K
GL-PR-H10MM-4K	HDMI Cable 10m - Male to Male Copper Cable-4K
GL-PR-H15MM-4K	HDMI Cable 15m - Male to Male Copper Cable-4K

HDMI CABLE-8K NEW



Supports*



Model	Description
GL-PR-H1.8MM-8K	HDMI Cable 1.8m - Male to Male Copper Cable-8K
GL-PR-H3MM-8K	HDMI Cable 3m - Male to Male Copper Cable-8K
GL-PR-H5MM-8K	HDMI Cable 5m - Male to Male Copper Cable-8K
GL-PR-H10MM-8K	HDMI Cable 10m - Male to Male Copper Cable-8K
GL-PR-H15MM-8K	HDMI Cable 15m - Male to Male Copper Cable-8K

HDMI ACTIVE OPTICAL CABLE - DETACHABLE CONNECTOR



Supports*



Model	Description
GL-AOC-H10MM-8K	Active Optical Glass HDMI Cable 10 Meters- Male to Male-Detachable Connectors
GL-AOC-H15MM-8K	Active Optical Glass HDMI Cable 15 Meters- Male to Male-Detachable Connectors

HDMI ACTIVE OPTICAL CABLE-8K NEW



Supports*



Model	Description
GL-AOC-H30MM-8K	Active Optical Glass HDMI Cable 30 Meters- Male to Male
GL-AOC-H50MM-8K	Active Optical Glass HDMI Cable 50 Meters-Male to Male

HDMI ACTIVE OPTICAL CABLE-4K



Supports*



Model	Description
GL-AOC-H70MM	Active Optical Glass HDMI Cable 70 Meters-Male to Male
GL-AOC-H100MM	Active Optical Glass HDMI Cable 100 Meters-Male to Male

USB ACTIVE OPTICAL CABLE



Supports*



Model	Description
G L-AOC-U15MM	Active Optical Glass USB 3.2Gen 1 Type A to Type A Cable 15 Meters-Male to Male
G L-AOC-U25MM	Active Optical Glass USB 3.2Gen 1 Type A to Type A Cable 25 Meters-Male to Male
GL-AOC-U50MM	Active Optical Glass USB 3.2Gen 1 Type A to Type A Cable 50 Meters-Male to Male

USB ACTIVE OPTICAL CABLE



Supports*



Model	Description
G L-AOC-UAC7MM	Active Optical Glass USB 3.2Gen 1 Type A to Type C Cable 7 Meters - Male to Male
G L-AOC-UAC15MM	Active Optical Glass USB 3.2Gen 1 Type A to Type C Cable 15 Meters- Male to Male
G L-AOC-UAC30MM	Active Optical Glass USB 3.2Gen 1 Type A to Type C Cable 30 Meters - Male to Male
GL-AOC-UAC45MM	Active Optical Glass USB 3.2Gen 1 Type A to Type C Cable 45 Meters - Male to Male

AUDIO & SPEAKER CABLE

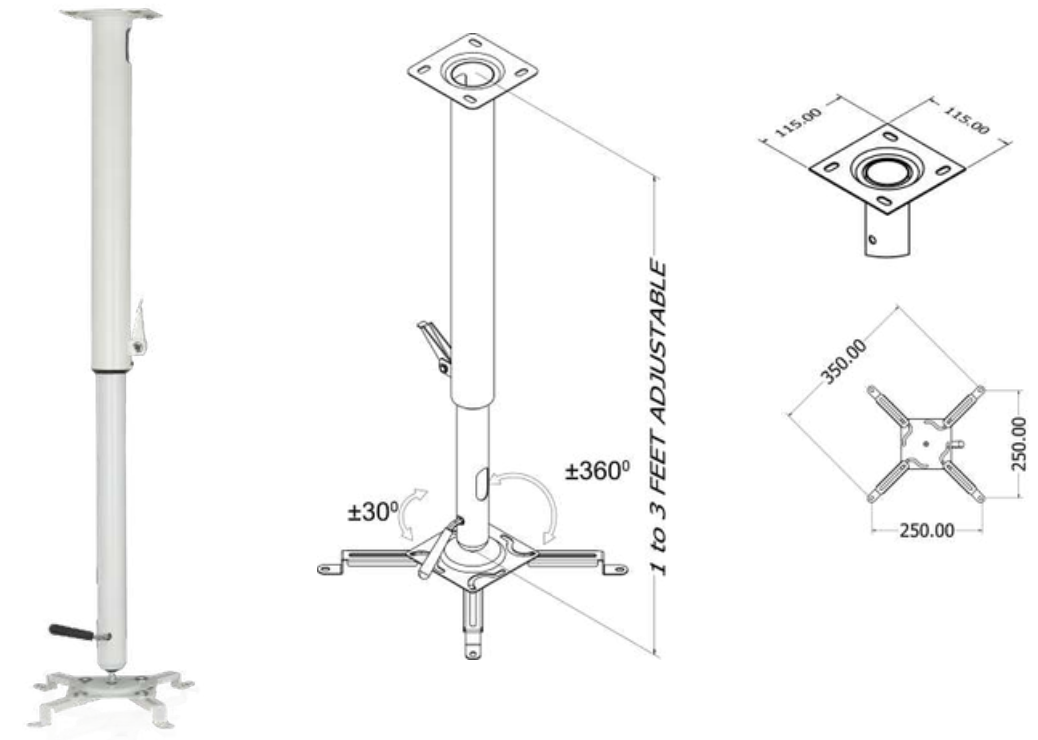


Model	Description
G L-2CSA100	Professional 2-Core Shielded Audio Cable 20 AWG, Available in 100m & 305m
GL-2CS100	Professional 2-Core Shielded Speaker Cable 16 AWG, Available in 100m & 305m

PROJECTOR MOUNTS

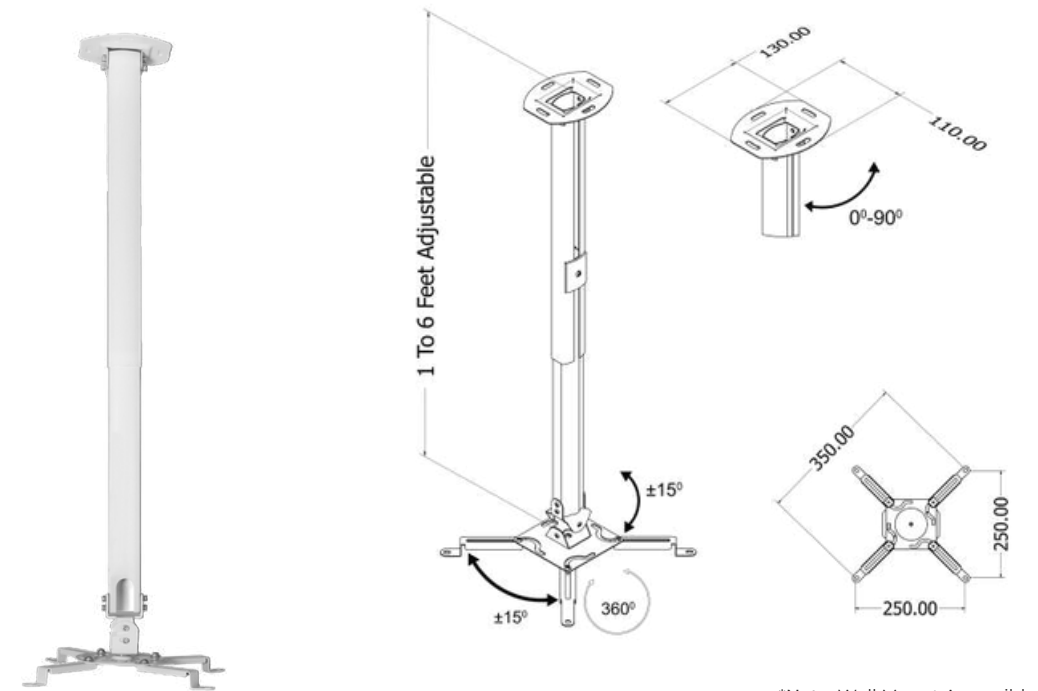


Classic Series



Model	Description	Material	Max. Load	Clamp Length	Product Weight	Shipping Weight	Shipping Dimension (LxWxH)
LG-CCM-2F	Classic Ceiling Mount Kit 1/2 ft.	Steel	10 kg	110 mm	1.1 kg	2 kg	430 x 140 x 130 mm

Professional Series

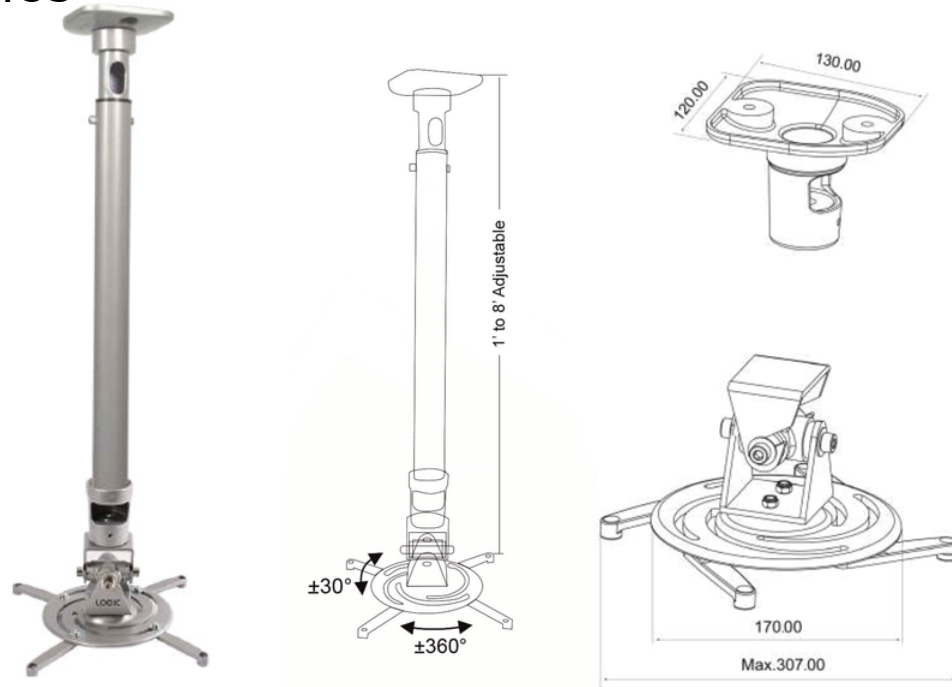


*Note: Wall Mount Accessible

Model	Description	Material	Max. Load	Clamp Length	Product Weight	Shipping Weight	Shipping Dimension (L x W x H)
LG-PCM-2F	Professional Ceiling Mount Kit 1/2 ft.	Aluminium	12 kg	115 mm	1 kg	2 kg	370 x 160 x 90 mm
LG-PCM-3F	Professional Ceiling Mount Kit 1.5/3 ft.	Aluminium	12 kg	115 mm	1.2 kg	2 kg	510 x 150 x 100 mm
LG-PCM-4F	Professional Ceiling Mount Kit 2/4 ft.	Aluminium	12 kg	115 mm	1.3 kg	2 kg	660 x 160 x 90 mm
LG-PCM-6F	Professional Ceiling Mount Kit 3/6 ft.	Aluminium	12 kg	115 mm	2 kg	3 kg	980 x 160 x 100 mm

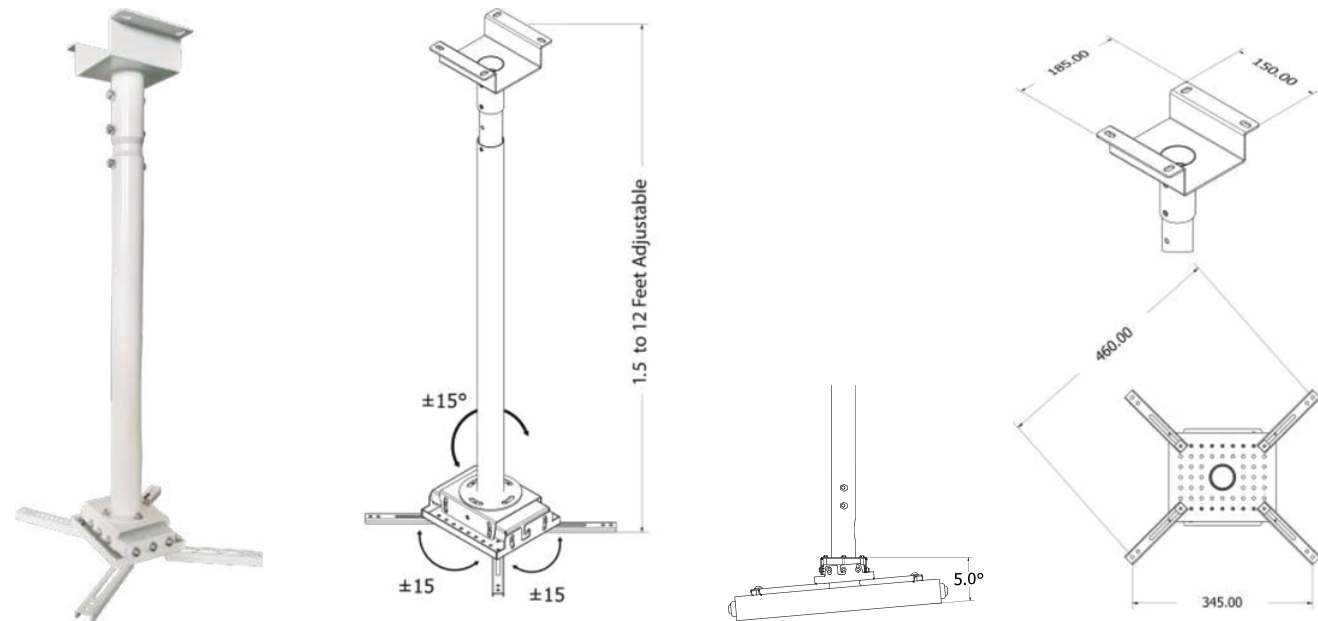
*Dimensions in mm

Executive Series



Model	Description	Material	Max. Load	Clamp Length	Product Weight	Shipping Weight	Shipping Dimension (L x W x H)
LG-EXCM-1F	Executive Ceiling Mount Kit of 1 ft.	Aluminium	10 Kg	92 mm	1.3 kg	1.6 kg	230 x 195 x 120 mm
LG-EXCM-2F	Executive Ceiling Mount Kit + Exp Rod 1/2 ft.	Aluminium & Steel	10 kg	92 mm	0.6 kg	0.8 kg	420 x 65 x 65 mm
LG-EXCM-3F	Executive Ceiling Mount Kit + Exp Rod 1.5/3 ft.	Aluminium & Steel	10 kg	92 mm	0.9 kg	1.1 kg	520 x 65 x 65 mm
LG-EXCM-4F	Executive Ceiling Mount Kit + Exp Rod 2/4 ft.	Aluminium & Steel	10 kg	92 mm	1 kg	1.4 kg	620 x 60 x 70 mm

Heavy Duty Series



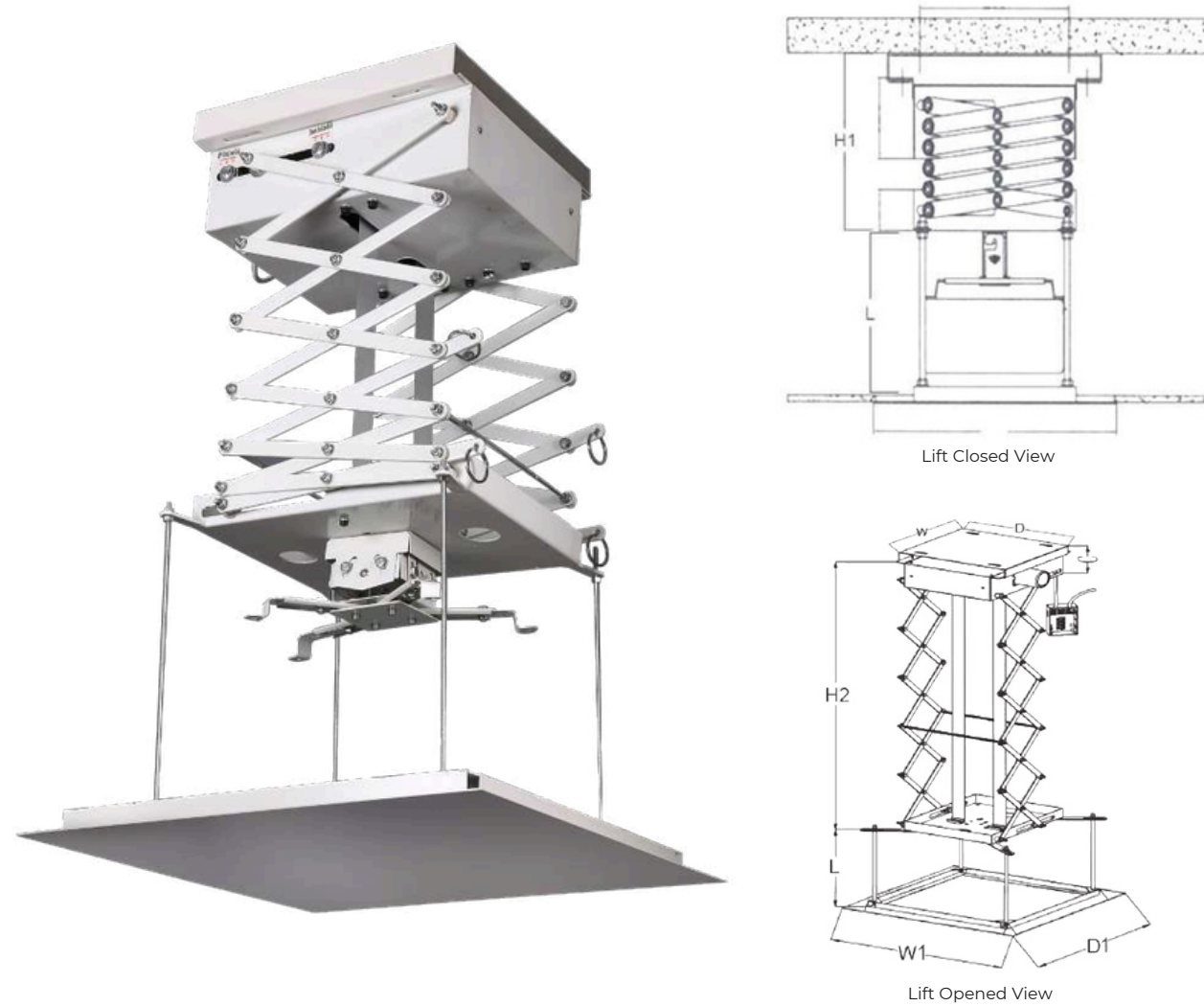
Model	Description	Material	Max Load	Clamp Length	Product Weight	Shipping Weight	Shipping Dimension (L x W x H)
LG-HDCM-3F-N19	Heavy Duty Ceiling Mount Kit + Exp Rod 1.5/3 ft.	Steel	50 kg	150 mm	4.5 kg	5.5 kg	215 x 710 x 185 mm
LG-HDCM-4F-N19	Heavy Duty Ceiling Mount Kit + Exp Rod 2/4 ft.	Steel	50 kg	150 mm	5.0 kg	6.5 kg	215 x 860 x 185 mm
LG-HDCM-6F-N19	Heavy Duty Ceiling Mount Kit + Exp Rod 3/6 ft.	Steel	50 kg	150 mm	5.5 kg	7.5 kg	215 x 1160 x 185 mm
LG-HDCM-8F-N19	Heavy Duty Ceiling Mount Kit + Exp Rod 4/8 ft.	Steel	50 kg	150 mm	7.0 kg	9.5 kg	215 x 1460 x 185 mm
LG-HDCM-12F-N19	Heavy Duty Ceiling Mount Kit + Exp Rod 6/12 ft.	Steel	50 kg	150 mm	8.5 kg	10.5 kg	215 x 2060 x 185 mm

*Dimensions in mm

PROJECTOR LIFTS



Projector Motorized Mounts (Steel)

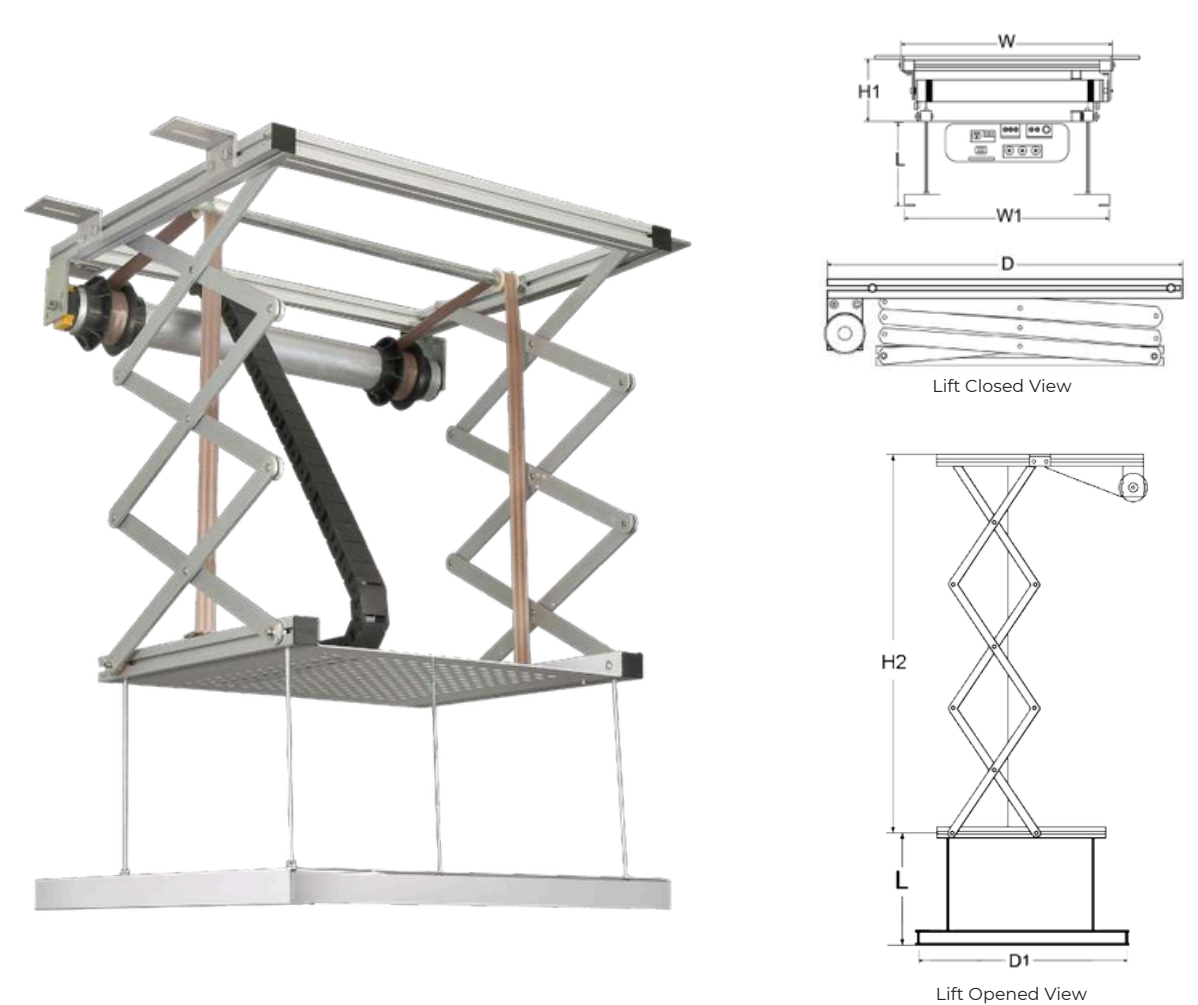


Technical Specification	LG-SPM100	LG- SPM150	LG- SPM200	LG- SPM250
Motor	Tubular Motor	Tubular Motor	Tubular Motor	Tubular Motor
Power Supply	220-230 V 50 Hz	220-230 V 50 Hz	220-230 V 50 Hz	220-230 V 50 Hz
Width (W)	320 320 490 490	320 320 490 490	320 320 490 490	320 320 490 490
Depth (D)	210 mm	260 mm	310 mm	420 mm
Bottom Plate Width (W1)	1000 mm 290	1500 mm 290	2000 mm 290	2500 mm 290
Bottom Plate Depth (D1)	mm 1290 mm	mm 1790 mm	mm 2290 mm	mm 2790 mm
Lift Size Closed (H1)				
Lift Size Opened (H2)				
Connecting Piece (L)				
Lift Size Opened Including Fixing (H2+L)				
Suggested Projector Size (W x H x D)	<350 x 200 x 350 mm	<350 x 200 x 350 mm	<350 x 200 x 350 mm	<350 x 200 x 350 mm
Control System	RF	RF	RF	RF

Model	Description	Ceilingdepth	Max, Load	Product Weight	Shipping Weight	Shipping Dimension (L x W x H)
LG-SPM100	Steel Motorized Projector Lift 100 cm	Min. 500 mm	15 kg	18.5 kg	20.0 kg	530 x 530 x 310 mm
LG-SPM150	Steel Motorized Projector Lift 150 cm	Min. 600 mm	15 kg	20.0 kg	23.0 kg	530 x 530 x 350 mm
LG-SPM200	Steel Motorized Projector Lift 200 cm	Min. 800 mm	15 kg	21.0 kg	23.0 kg	530 x 530 x 350 mm
LG-SPM250	Steel Motorized Projector Lift 250 cm	Min. 1000 mm	15 kg	26.0 kg	28.0 kg	560 x 530 x 530 mm

*Dimensions in mm

Projector Motorized Mounts (Aluminium)

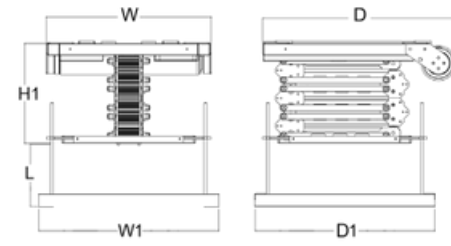


Technical Specification	LG-APM100	LG-APM150	LG-APM200	LG-APM300
Motor	Tubular Motor	Tubular Motor	Tubular Motor	Tubular Motor
Power Supply	220-230 V 50 Hz	220-230 V 50 Hz	220-230 V 50 Hz	220-230 V 50 Hz
Width (W)	576	576 550 490 490	576 550 490 490	576
Depth (D)	550	205 mm	235 mm	550
Bottom Plate Width (W1)	490	1460 mm 284	1960 mm 284	490
Bottom Plate Depth (D1)	490	mm 1744 mm	mm 2244 mm	490
Lift Size Closed (H1)	160 mm			305 mm
Lift Size Opened (H2)	960 mm			2960 mm
Connecting Piece (L)	284 mm			284 mm
Lift Size Opened Including Fixing (H2+L)	1244 mm			3244 mm
Suggested Projector Size (W x H x D)	<400 x 190 x 400 mm	<400 x 190 x 400 mm	<400 x 190 x 400 mm	<400 x 190 x 400 mm
Control System	RF	RF	RF	RF

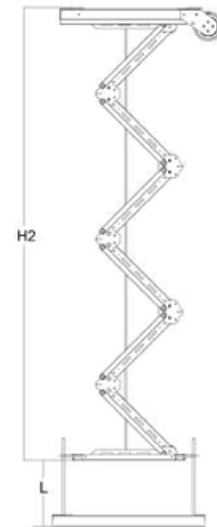
Model	Description	Ceilingdepth	Max Load	Product Weight	Shipping Weight	Shipping Dimension (L x W x H)
LG-APM100	Aluminium Motorized Projector Lift 100 cm	Min. 500 mm	15 kg	16.0 kg	18.0 kg	700 x 680 x 200 mm
LG-APM150	Aluminium Motorized Projector Lift 150 cm	Min. 600 mm	15 kg	17.0 kg	19.0 kg	700 x 680 x 200 mm
LG-APM200	Aluminium Motorized Projector Lift 200 cm	Min. 800 mm	15 kg	18.0 kg	20.0 kg	700 x 680 x 200 mm
LG-APM300	Aluminium Motorized Projector Lift 300 cm	Min. 1000 mm	15 kg	21.0 kg	23.0 kg	700 x 690 x 340 mm

*Dimensions in mm

Projector Motorized Mounts (Aluminium) - Single Arm



Lift Closed View



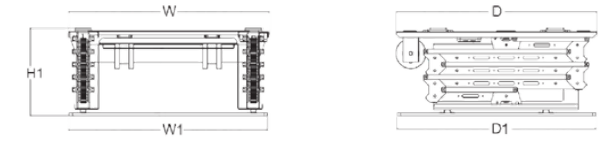
Lift Opened View

Technical Specification	LG-EPM100	LG-EPM150
Motor	Tubular Motor	Tubular Motor
Power Supply	220-230 V 50 Hz	220-230 V 50 Hz
Width (W)	453	453
Depth (D)	528	528
Bottom Plate Width (W1)	490	490
Bottom Plate Depth (D1)	490	490
Lift Size Closed (H1)	210 mm	281 mm
Lift Size Opened (H2)	990 mm	1478 mm
Connecting Piece (L)	229 mm	229 mm
Lift Size Opened Including Fixing (H2+L)	1219 mm	1707 mm
Suggested Projector Size (W x H x D)	<480 x 250 x 410 mm	<480 x 250 x 410 mm
Control System	RF/RS232/RS485	RF/RS232/RS485

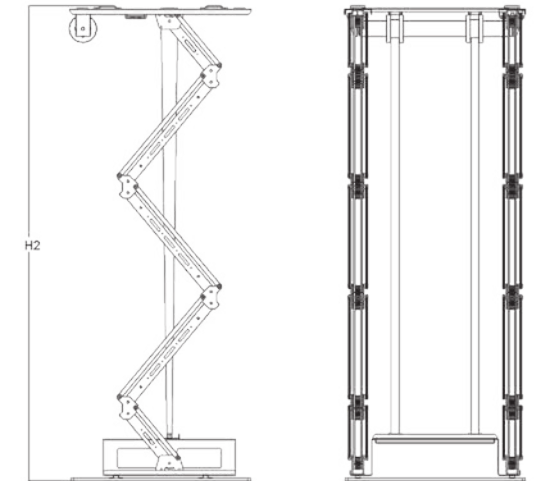
Model	Description	Ceilingdepth	Max Load	Product Weight	Shipping Weight	Shipping Dimension (L x W x H)
LG-EPM100	Executive Motorized Projector Lift 100 cm	Min. 450 mm	40 kg	21 kg	23 kg	570 x 580 x 330 mm
LG-EPM150	Executive Motorized Projector Lift 150 cm	Min. 510 mm	40 kg	23 kg	26 kg	570 x 580 x 400 mm

*Dimensions in mm

Projector Motorized Mounts (Aluminium) - Dual Arm



Lift Closed View



Lift Opened View

Technical Specification	LG-EPM200
Motor	Tubular Motor
Power Supply	110 V or 220 V
Width (W)	730
Depth (D)	730
Bottom Plate Width (W1)	725
Bottom Plate Depth (D1)	725
Lift Size Closed (H1)	315.5 mm
Lift Size Opened (H2)	1910 mm
Suggested Projector Size (W x H x D)	<500 x 240 x 600 mm
Control System	RF/RS232/RS485

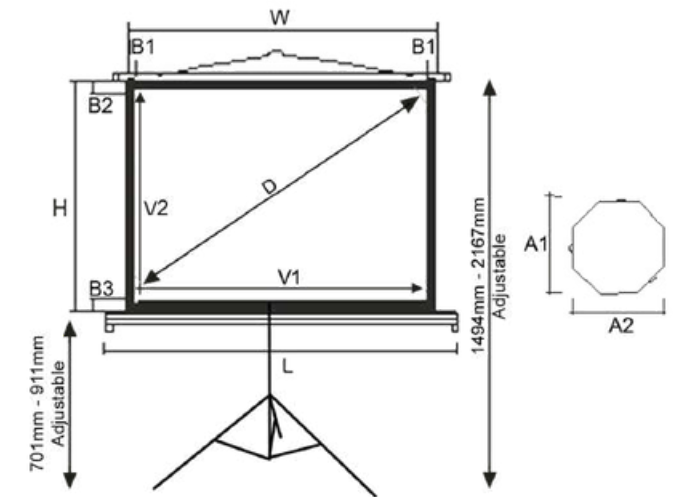
Model	Description	Ceilingdepth	Max Load	Product Weight	Shipping Weight	Shipping Dimension (L x W x H)
LG-EPM200	Executive Motorized Projector Lift dual arm 200 cm	Min. 320 mm	40 kg	51 kg	56 kg	820 x 810 x 440 mm

*Dimensions in mm

PROJECTION SCREENS



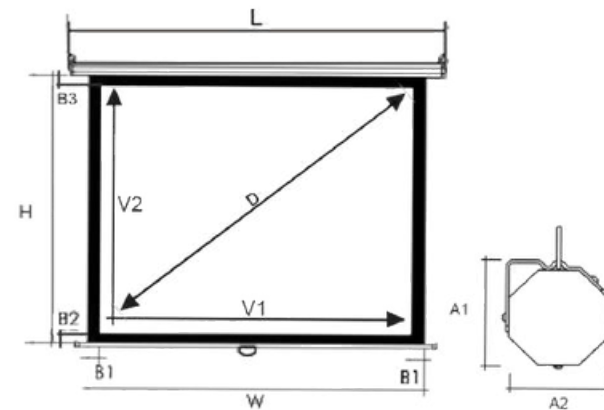
Tripod 4:3



Model	Aspect Ratio	Screen Size - D (Inches)	Viewing Area (V1 x V2)	H	W	L	B1 x B2x B3	Casing Size (A1 x A2)	Product Weight	Shipping Weight	Fabric Thickness
LG-CT84	4:3	84"	1710 x 1280	1320	1770	1873	30 x 30 x 20	70 x 70	8.5 kg	9.0 kg	0.
LG-CT100		100"	2030 x 1520	1560	2090	2183		70 x 70	9.5 kg	10.0 kg	4
LG-CT120	4:3	120"	2440 x 1830		2500	2593	30 x 30 x 20	70 x 70	12.0 kg	13.0 kg	0.
				1870							4
	4:3						30 x 30 x 20				0.
											4

Classic Series

Self Lock 4:3 (Slow Retraction)



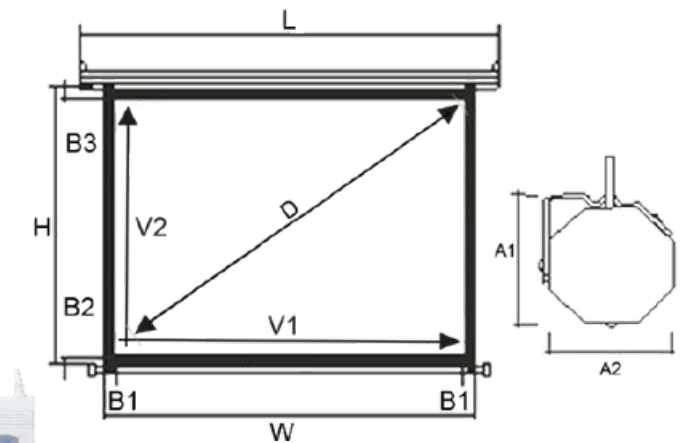
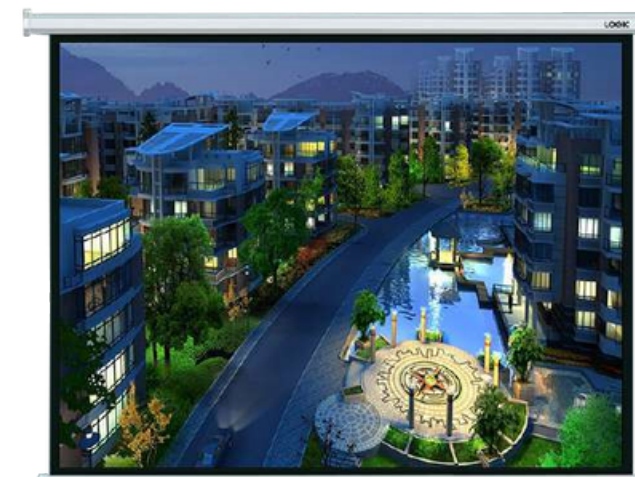
Model	Aspect Ratio	Screen Size - D (Inches)	Viewing Area (V1 x V2)	H	W	L	B1 x B2x B3	Casing Size (A1 x A2)	Product Weight	Shipping Weight	Fabric Thickness
LG-CS84	4:3	84"	1710 x 1280	1320	1770	1843	30 x 30 x 20	86 x 70	5.5 kg	7.0 kg	0.
LG-CS100		100"	2030 x 1520	1560	2090	2153		86 x 70		8.0 kg	4
LG-CS120	4:3	120"	2440 x 1830		2500	2583	30 x 30 x 20	86 x 70	7.0 kg	11.0 kg	0.
				1870					9.0 kg		4

4:3

30 x 30 x 20

*Dimensions in mm
4

Motorized 4:3



Model	Aspect Ratio	Screen Size - D (Inches)	Viewing Area (V1 x V2)	H	W	L	B1 x B2x B3	Casing Size (A1 x A2)	Product Weight	Shipping Weight	Fabric Thickness
LG-CM84	4:3	84"	1710 x 1280	1320	1770	1983	30 x 30 x 20	86 x 70	7.0 kg	8.0 kg	0.
LG-CM100		100"	2030 x 1520	1560	2090	2288		86 x 70	8.0 kg	9.0 kg	4
LG-CM120	4:3	120"	2440 x 1830		2500	2718	30 x 30 x 20	86 x 70	10.0 kg	11.0 kg	0.
				1870							4

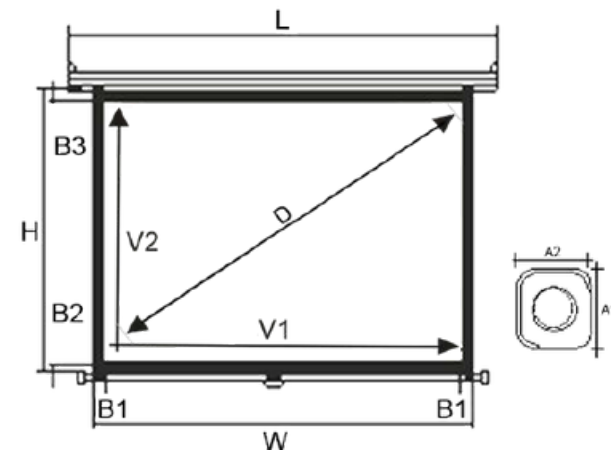
4:3

30 x 30 x 20

*Dimensions in mm
4

Spectra Pro Series

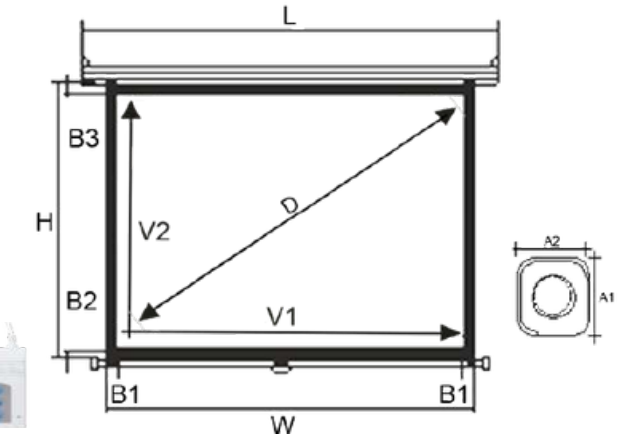
Self Lock 4:3 - Fiber Glass (Matte White)



Model	Aspect Ratio	Screen Size - D (Inches)	Viewing Area (V1 x V2)	H	W	L	B1 x B2x B3	Casing Size (A1 x A2)	Product Weight	Shipping Weight	Fabric Thickness
LG-SP84	4:3	84"	1710 x 1280	1320	1770	1872	30 x 30 x 20	72 x 72	7.0 kg	8.0 kg	0.5
LG-		100"	2030 x 1520	1560	2090	2187		72 x 72	9.0 kg	11.0 kg	0.5
SP100	4:3	120"	2440 x 1830		2500	2607	30 x 30 x 20	72 x 72	11.0 kg	13.0 kg	0.5
LG-SP120				1870			30 x 30 x 20				

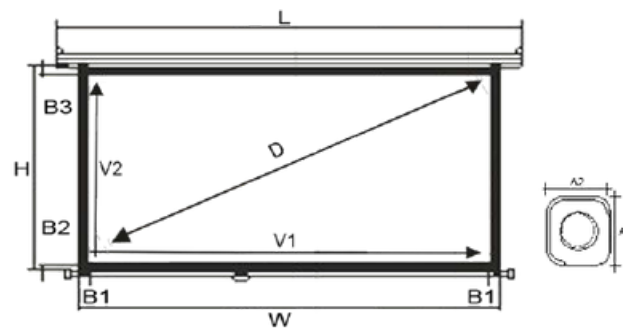
Spectra Pro Series

Motorized 4:3 - Fiber Glass (Matte White)



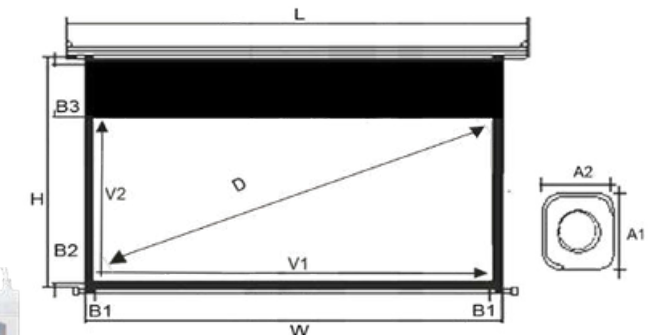
Model	Aspect Ratio	Screen Size - D (Inches)	Viewing Area (V1 x V2)	H	W	L	B1 x B2x B3	Casing Size (A1 x A2)	Product Weight	Shipping Weight	Fabric Thickness
LG-SP84M	4:3	84"	1710 x 1280	1855	1770	1903	30 x 20 x 550	80 x 80	9.0 kg	11.0 kg	0.5
LG-SP100M		100"	2030 x 1520	2095	2090	2223		80 x 80	11.0 kg	13.0 kg	0.5
	4:3						30 x 20 x 550				

Self Lock 16:10 - Fiber Glass (Matte White)



Model	Aspect Ratio	Screen Size - D (Inches)	Viewing Area (V1 x V2)	H	W	L	B1 x B2x B3	Casing Size (A1 x A2)	Product Weight	Shipping Weight	Fabric Thickness
LG-SP93	16:10	93"	2000 x 1250	1570	2060	2157	30 x 20 x 300	72 x 72	9.0 kg	10.0 kg	0.5
LG-SP109	16:10	109"	2345 x 1465			2502		72 x 72	10.0 kg	11.0 kg	0.5
				1785	2405		30 x 20 x 300				

Motorized 16:10 - Fiber Glass (Matte White)



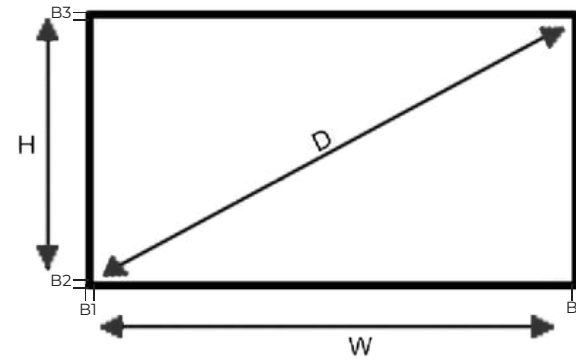
Model	Aspect Ratio	Screen Size - D (Inches)	Viewing Area (V1 x V2)	H	W	L	B1 x B2x B3	Casing Size (A1 x A2)	Product Weight	Shipping Weight	Fabric Thickness
LG-SP93M	16:10	93"	2000 x 1250	1825	2060	2193	30 x 20 x 550	80 x 80	11.0 kg	13.0 kg	0.5
LG-SP109M	16:10	109"	2345 x 1465	2040	2405	2538		80 x 80	13.0 kg		0.5
LG-SP123M	16:10	123"	2650 x 1650	2230	2710	2853	30 x 20 x 550	80 x 80	15.0 kg	15.0 kg	0.5
LG-SP135M	16:10	135"	2910 x 1820	2395	2970	3113		80 x 80	17.0 kg		0.5
							30 x 20 x 550			17.0 kg	

*Dimensions in mm

*Dimensions in mm

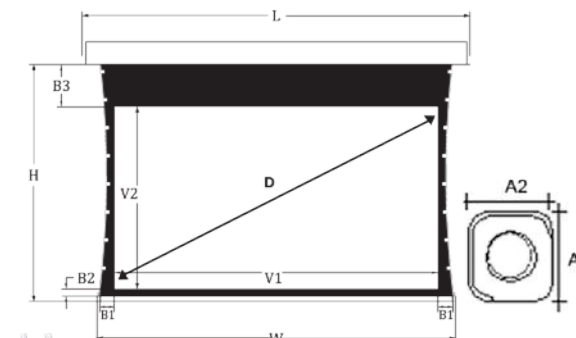
Spectra Pro Series

Fixed Frame 16:9 - PVC (Matte White)



Model	Aspect Ratio	Screen Size - D (Inches)	Viewing Area (V1 x V2)	H	W	L	B1 x B2x B3	Casing Size (A1 x A2)	Product Weight	Shipping Weight	Fabric Thickness
LGS-100FX	16:9	100"	2210 x 1240	1360	2330	-	60 x 60 x 60	-	7.0 kg	10.0 kg	0.4
LGS-120FX	16:9	120"	2650 x 1490	1610	2770	-	60 x 60 x 60	-	17.0 kg	20.0 kg	2

TAB TENSION 16:9 - PVC (MATTE WHITE)

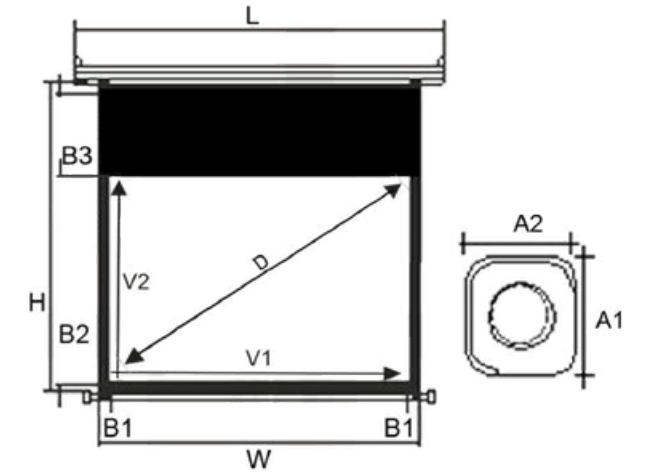
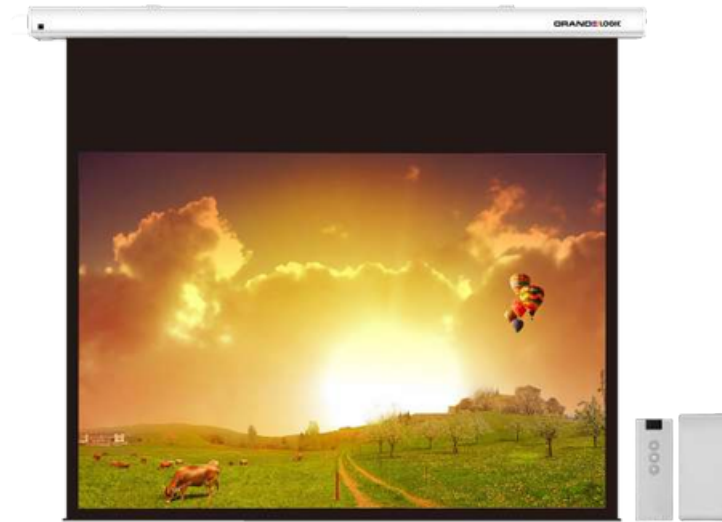


Model	Aspect Ratio	Screen Size - D (Inches)	Viewing Area (V1 x V2)	H	W	L	B1	B2	B3	Casing Size (A1 x A2)	Product Weight	Shipping Weight	Fabric Thickness
LG-SPT92M	16:9	92"	2030 x 1140	1710	2230	2415	40	20	550	132 x 108	21.0 kg	23.0 kg	0.4
LG-SPT106M	16:9	106"	2340 x 1310	1880	2540	2725	100	20	550	132 x 108	25.0 kg	27.0 kg	2
LG-SPT120M	16:9	120"	2660 x 1490	2060	2860	3055	100	20	550	132 x 108	27.0 kg	30.0 kg	2

*Dimensions in mm

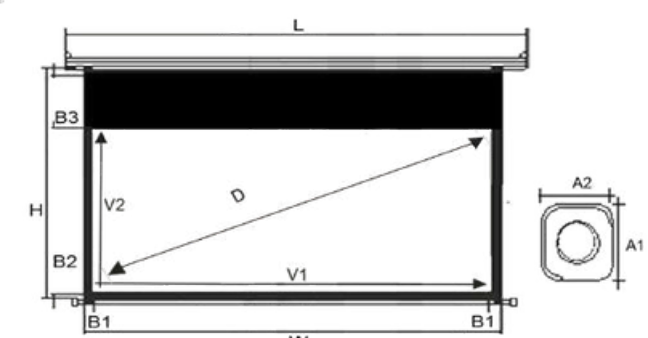
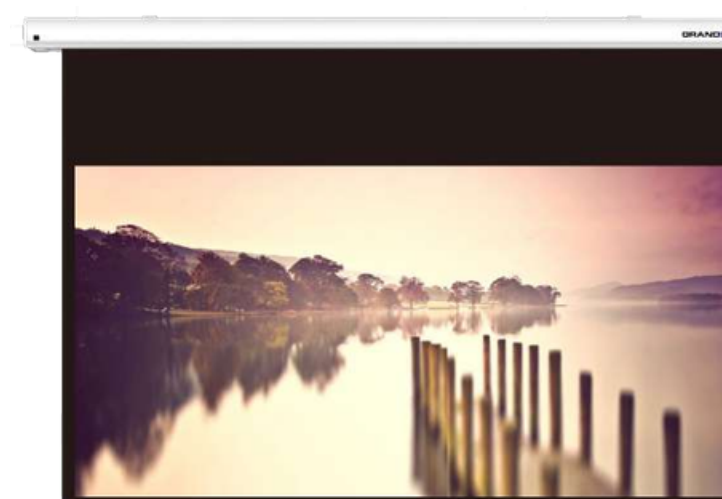
GRANDLOGIC PRO SERIES SCREENS

Motorized 4:3 - Fiber Glass (Matte White) With LVC



Model	Aspect Ratio	Screen Size - D (Inches)	Viewing Area (V1 x V2)	H	W	L	B1 x B2x B3	Casing Size (A1 x A2)	Product Weight	Shipping Weight	Fabric Thickness
GL-P100M	4:3	100"	2030 x 1520	1840	2130	2348	50 x 50 x 300	84 x 80	13.0 kg	15.0 kg	0.5
GL-P120M	4:3	120"	2340 x 1755	2075	2440	2581	50 x 50 x 300	102 x 97	17.0 kg	19.0 kg	0.5

Motorized 16:10 - Fiber Glass (Matte White) With LVC



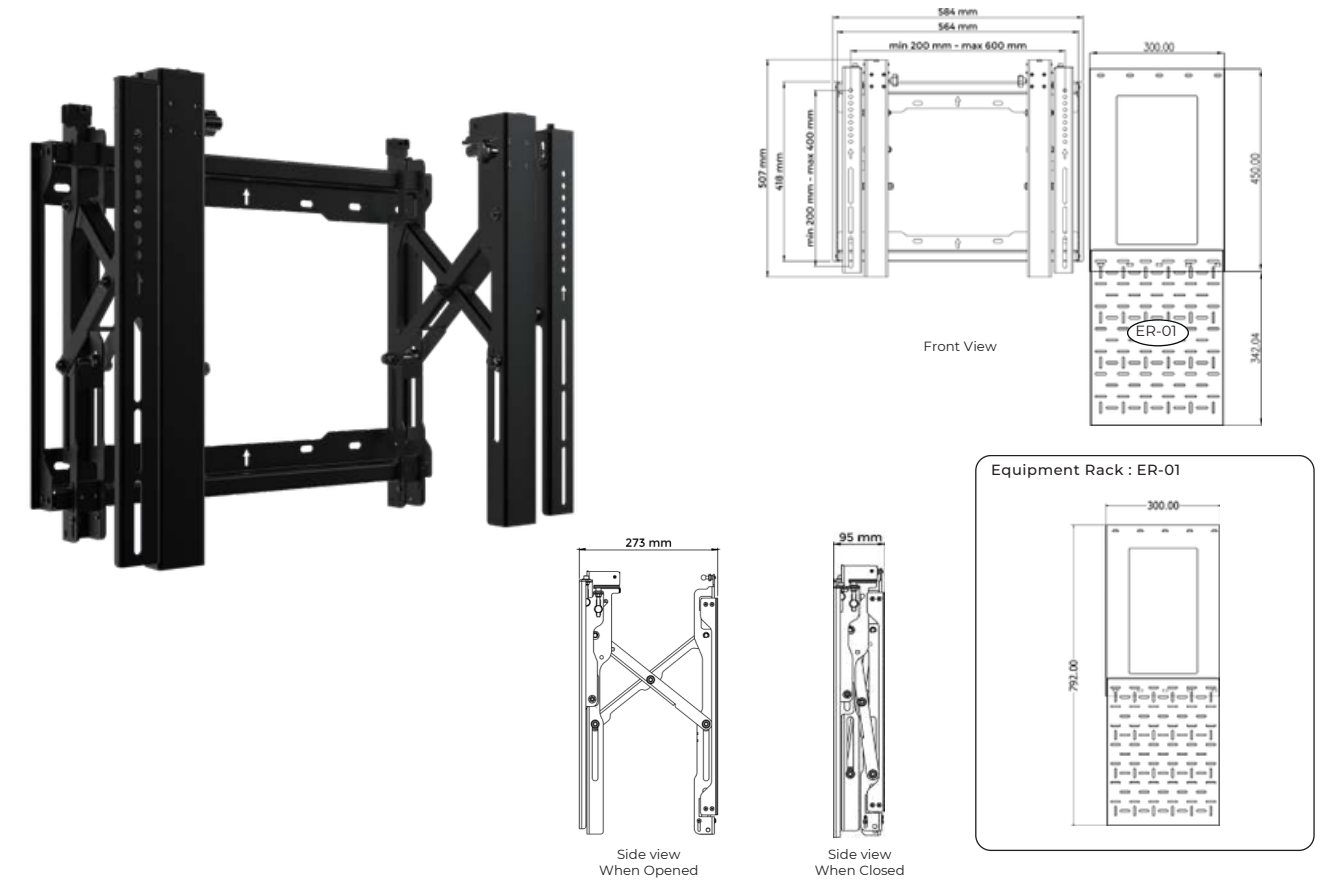
Model	Aspect Ratio	Screen Size - D (Inches)	Viewing Area (V1 x V2)	H	W	L	B1 x B2x B3	Casing Size (A1 x A2)	Product Weight	Shipping Weight	Fabric Thickness
GL-P93M1610	16:10	93"	2030 x 1230	1750	1400	2348	50 x 50 x 500	84 x 80	12.0 kg	15.0 kg	0.
GL-P109M1610	16:10	109"	2340 x 1463	1863	2440	2575	50 x 50 x 350	84 x 80	16.0 kg	16.0 kg	4
GL-P123M1610	16:10	123"	2656 x 1660	2060	2756	2940	50 x 50 x 350	102 x 97	14.5 kg	22.0 kg	0.
GL-P150M1610	16:10	150"	3231 x 2019	2299	3331	3519	50 x 80 x 200	145 x 139	44.50 kg	44.50 kg	4
GL-P180M1610	16:10	180"	3877 x 2423	2703	3977	4165	50 x 80 x 200	145 x 139	19.0 kg	50.16 kg	0.

*Dimensions in mm

DISPLAY MOUNT BRACKETS

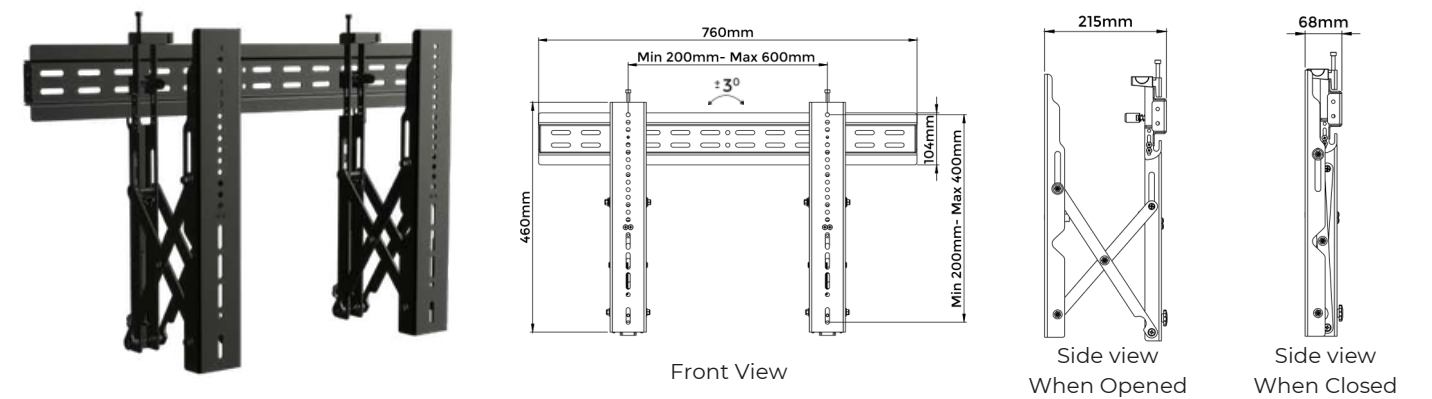


LG-VW04-IN
Video Wall Bracket



Model	Orientation	Max.Load	DisplaySizes	VESA	Product Weight	Shipping Weight
LG-VW04-IN	Landscape	88.2 lbs (40 kg)	49" to 65"	200 x 200 to 600 x 400	8.976 kg	10.076 kg
	Portrait	55.1 lbs (25 kg)	49" to 55"	200 x 200 to 400 x 400		
ER-01	-	22 lbs (10 kg)	55" to 65"	-	2.6 kg	-

LG-VW70-IN **NEW**
Video Wall Bracket

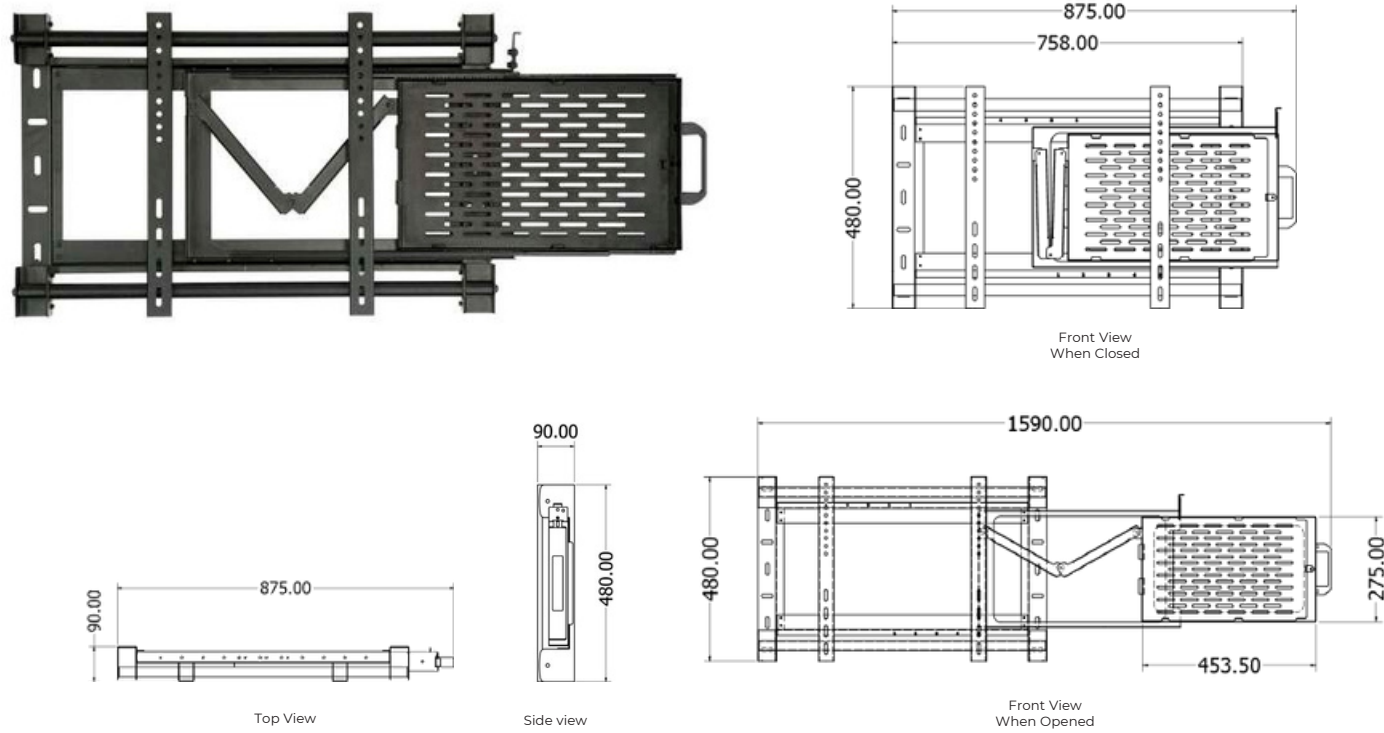


Model	Max.Load	DisplaySizes	VESA	Product Weight	Shipping Weight
LG-VW70-IN	99 lbs (45 kg)	37" to 70"	200 x 200 to 600 x 400	7.0 kg	8.0 kg

*Dimensions in mm

LGWM-4970FST-N22

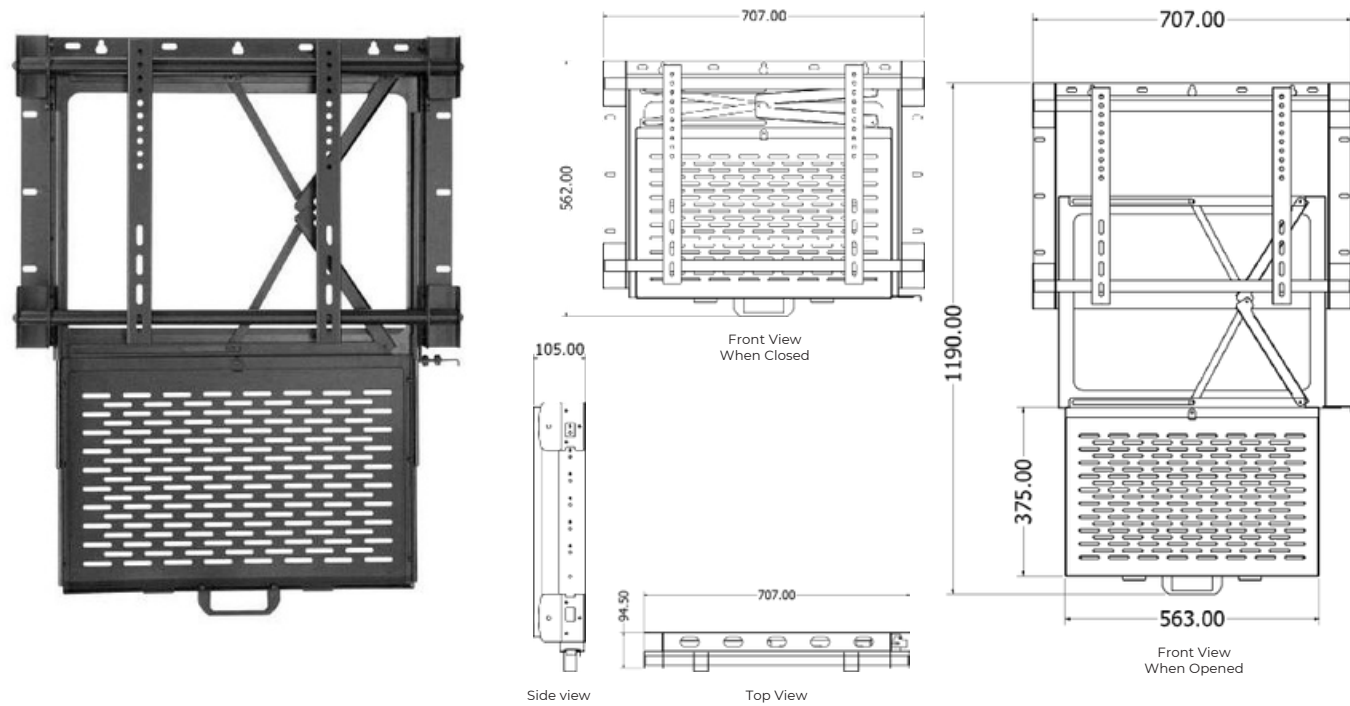
Fixed Wall Mount Bracket - Side Sliding Tray



Model	Max.Load	DisplaySizes	VESA	Product Weight	Shipping Weight
LGWM-4970FST-N22	154.4 lbs (70 kg)	49" to 70"	100 x 100 to 600 x 400	21 Kg	25 Kg

LGWM-4986FDT-N22

Fixed Wall Mount Bracket - Down Sliding Tray

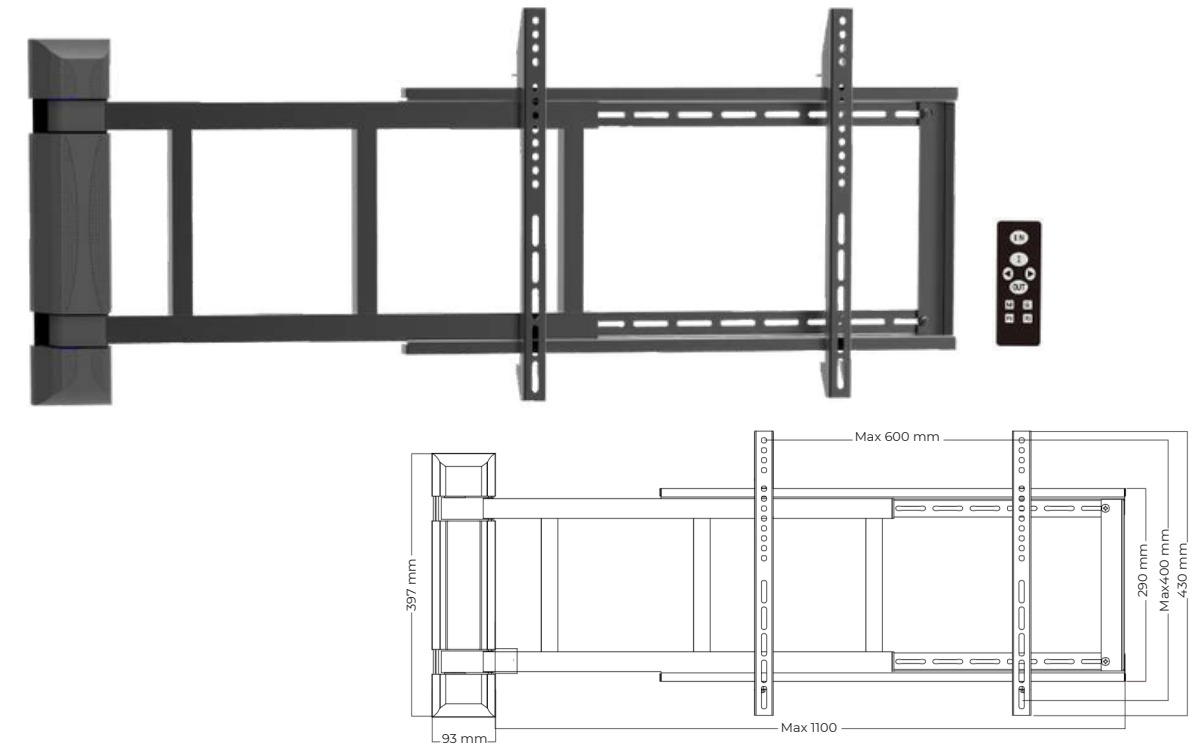


Model	Max.Load	DisplaySizes	VESA	Product Weight	Shipping Weight
LGWM-4986FDT-N22	176.4 lbs (80 kg)	49" to 86"	100 x 100 to 600 x 400	18 Kg	22 Kg

*Dimensions in mm

LGWM-3270SW-M

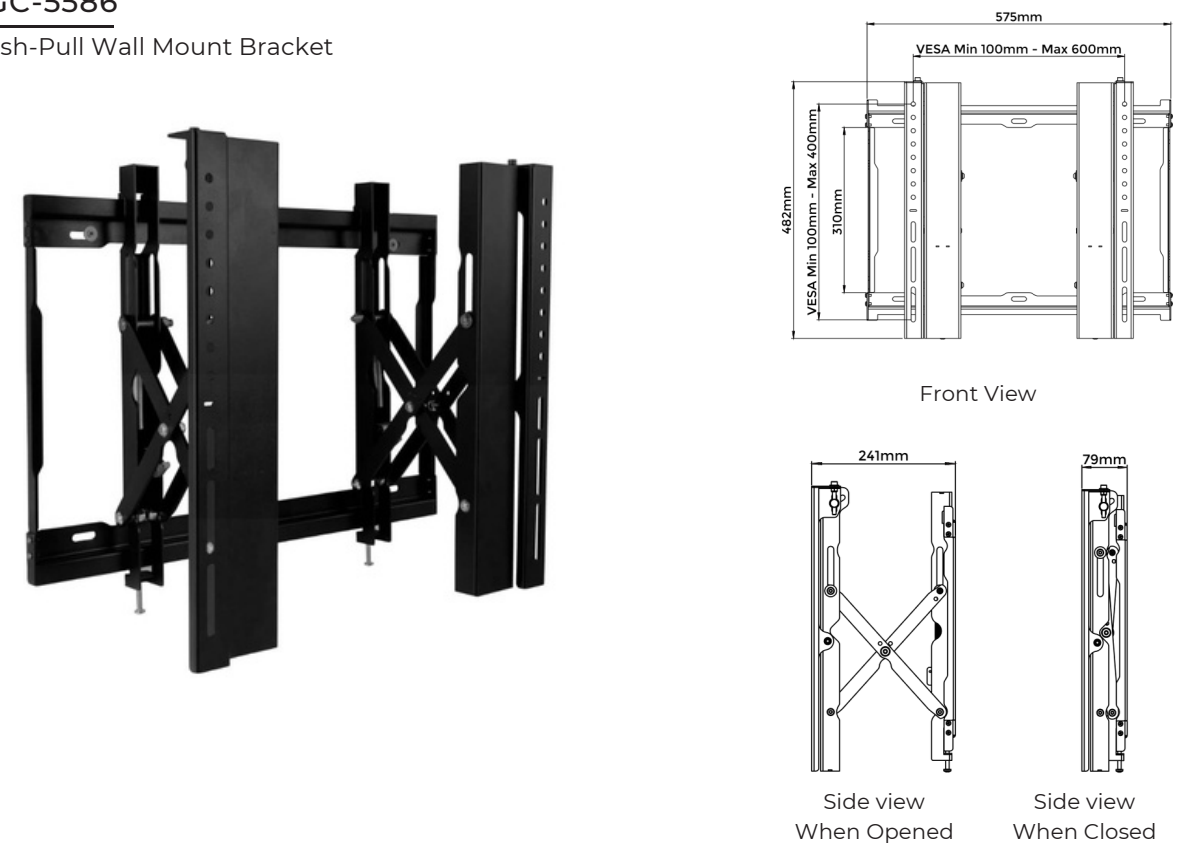
Motorized Wall Mount Bracket - Horizontal Swivel Adjustable



Model	Max.Load	DisplaySizes	VESA	SwivelAngle	Product Weight	Shipping Weight
LGWM-3270SW-M	95 lbs (43 kg)	32" to 70"	200 x 200 to 600 x 400	Swivel 0-160°	6.8 kg	7.6 kg

LGC-5586

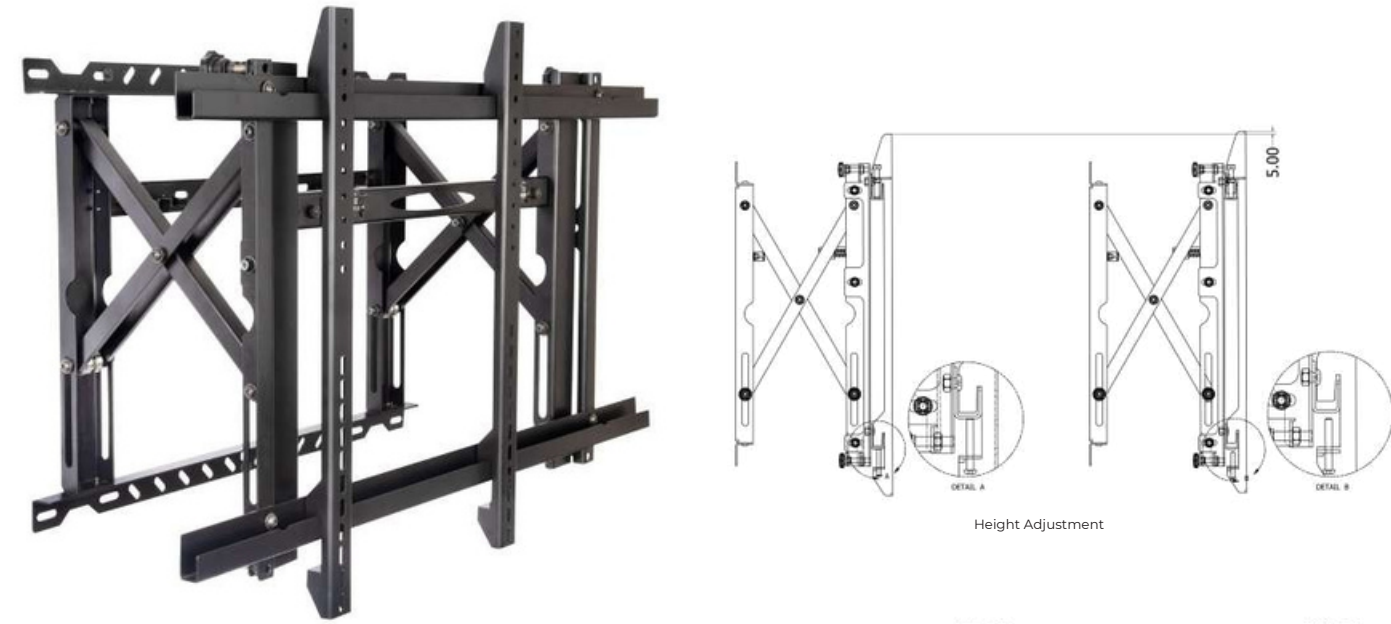
Push-Pull Wall Mount Bracket



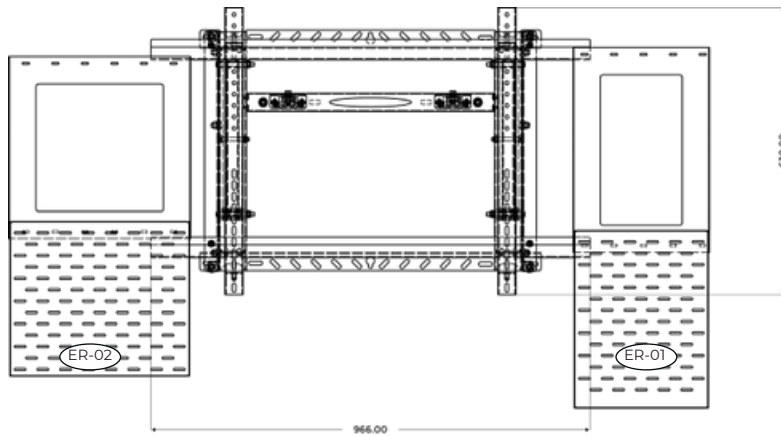
Model	Max.Load	DisplaySizes	VESA	Product Weight	Shipping Weight
LGC-5586	110 lbs (50 kg)	55" to 86"	100 x 100 to 600 x 400	14.2 kg	17.5 kg

*Dimensions in mm

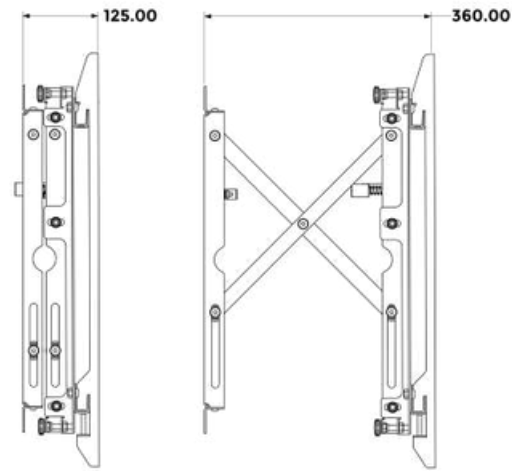
LGC-7598
Push-Pull Wall Mount Bracket



Height Adjustment

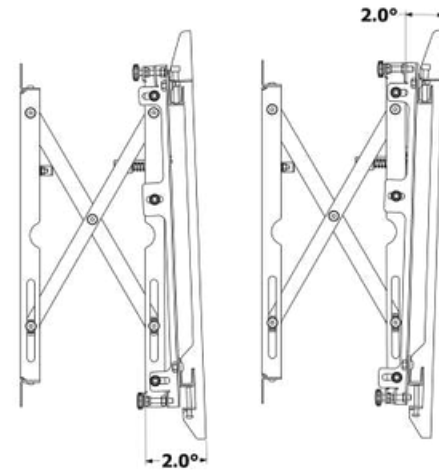
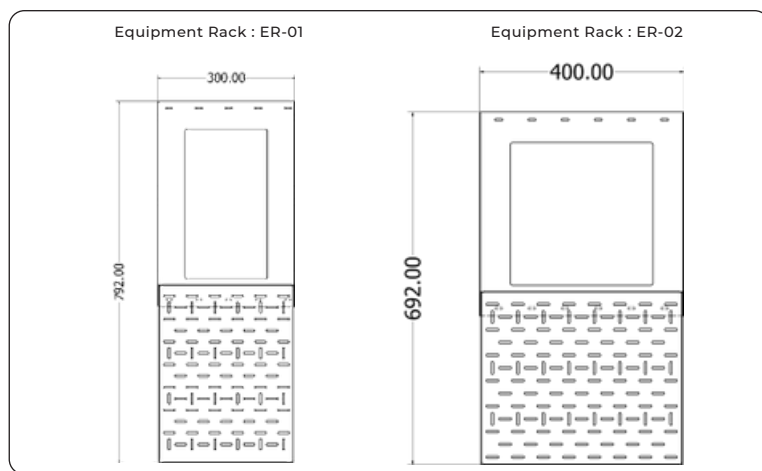


Front View



Side View When Closed

Side View When Opened



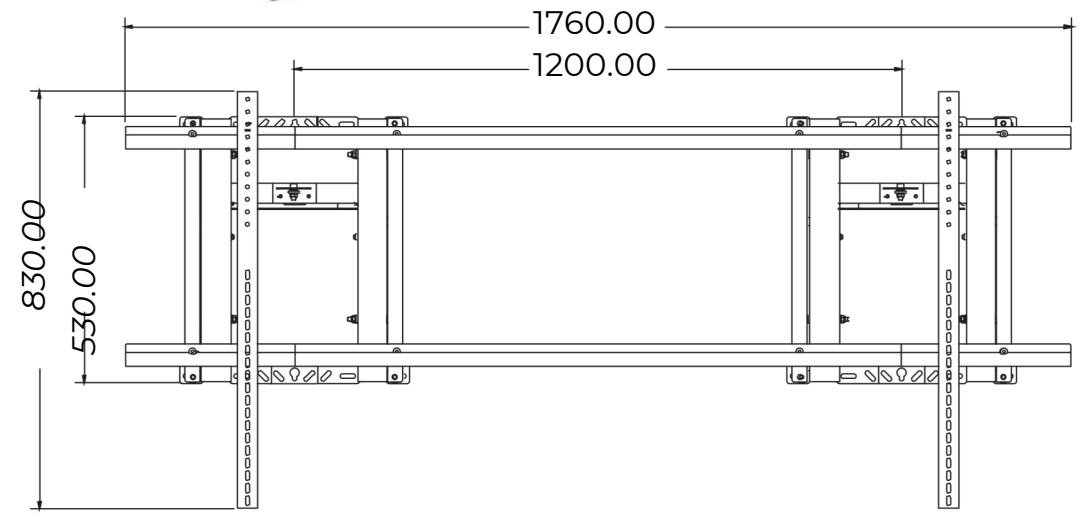
Upward up to 2°

Downward up to 2°

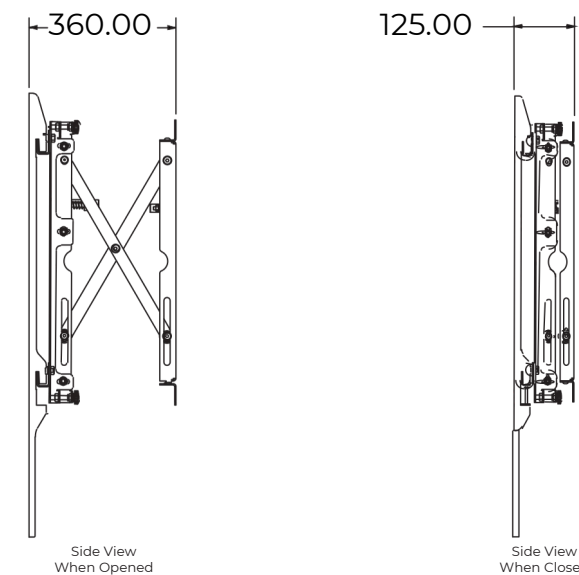
Model	Max.Load	DisplaySizes	VESA	Product Weight	Shipping Weight
LGC-7598	265 lbs (120 kg)	75" to 98"	400 x 400 to 900 x 600	19 kg	22 kg
ER-01	22 lbs (10 kg)	86" to 98"	-	2.6 kg	-
ER-02	22 lbs (10 kg)	86" to 98"	-	2.3 kg	-

*Dimensions in mm

LGC-98110 **NEW**
Push-Pull Wall Mount Bracket



Front View



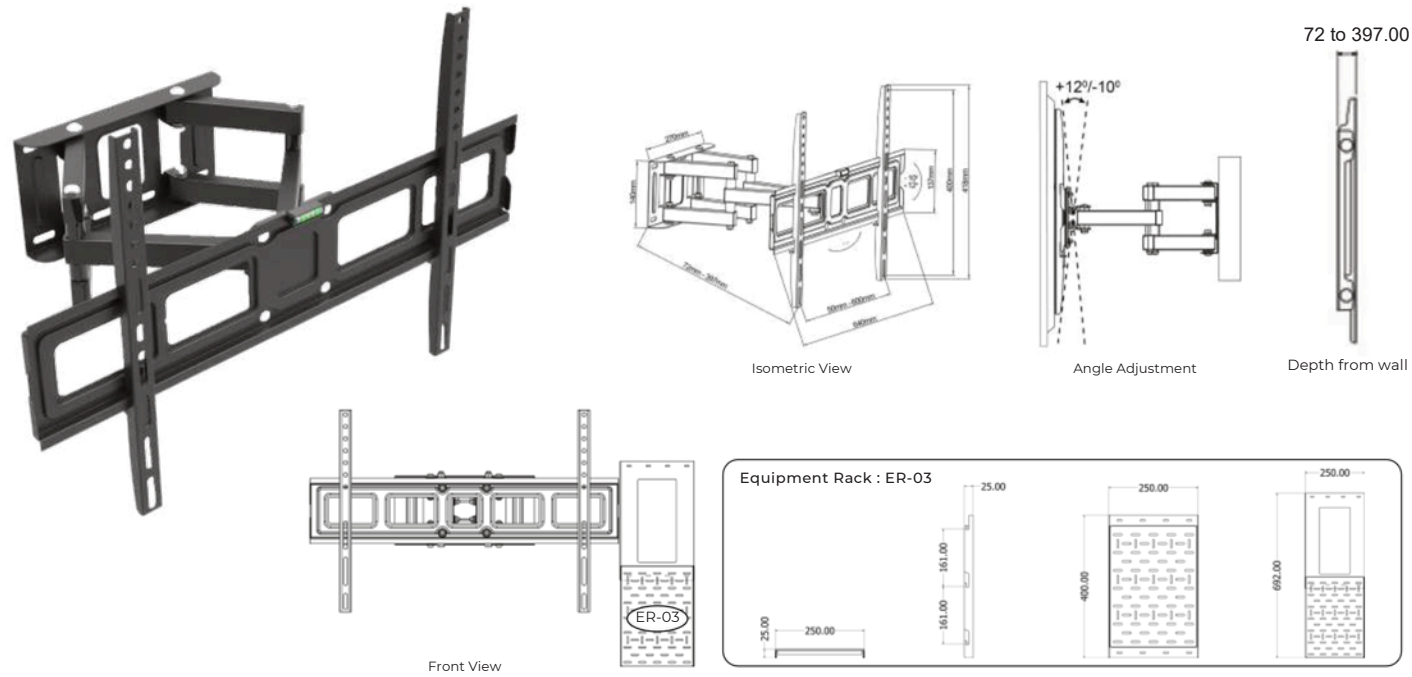
Side View When Opened

Side View When Closed

Model	Max.Load	DisplaySizes	VESA	Product Weight	Shipping Weight
LGC-98110	286.6 lbs (130 kg)	98" to 110"	400 x 400 to 1600 x 800	31 kg	36 kg

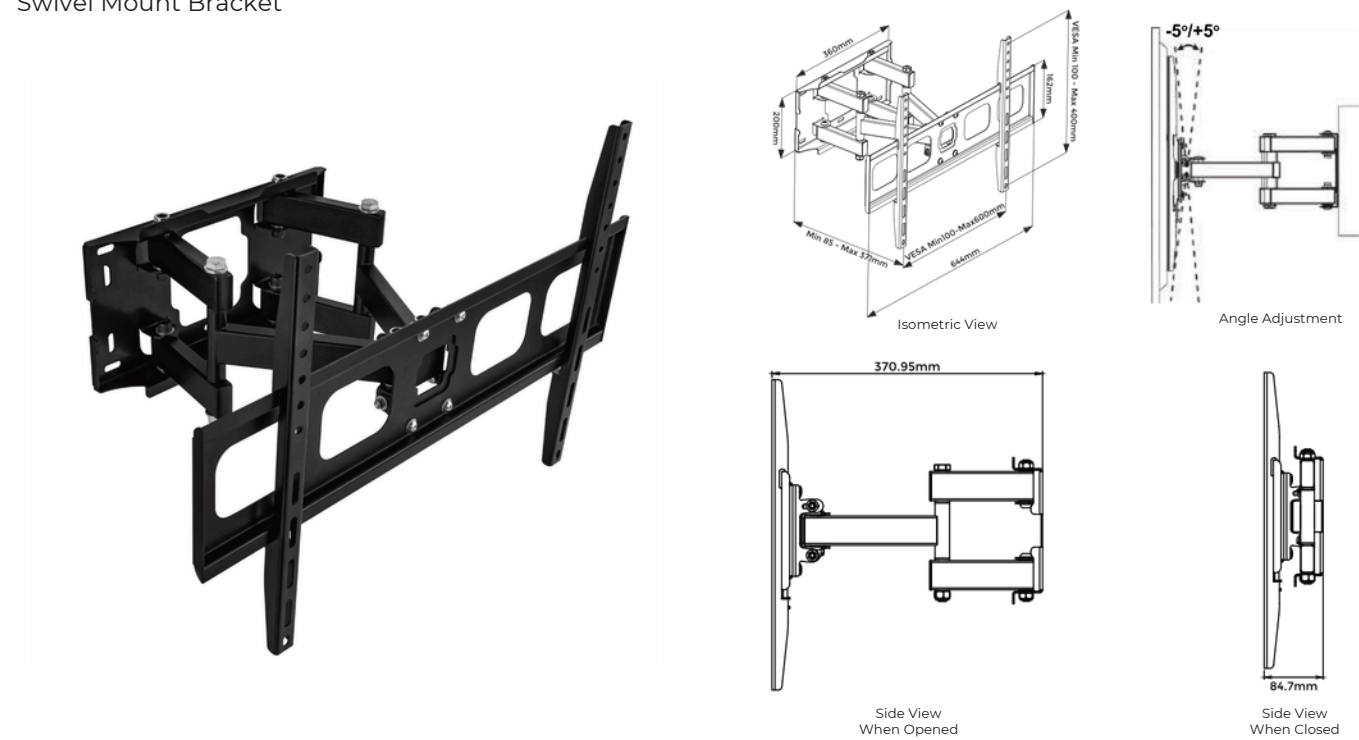
*Dimensions in mm

LGWM-3255SW
Swivel Mount Bracket - Executive



Model	Max.Load	DisplaySizes	VESA	SwivelAngle	Product Weight	Shipping Weight
LGWM-3255SW	88 lbs (40 kg)	32" to 55"	100 x 100 to 600 x 400	30 ° for 55" display	3.0 kg	4.2 kg
ER-03	22 lbs (10 kg)	-	-	-	2.1 kg	-

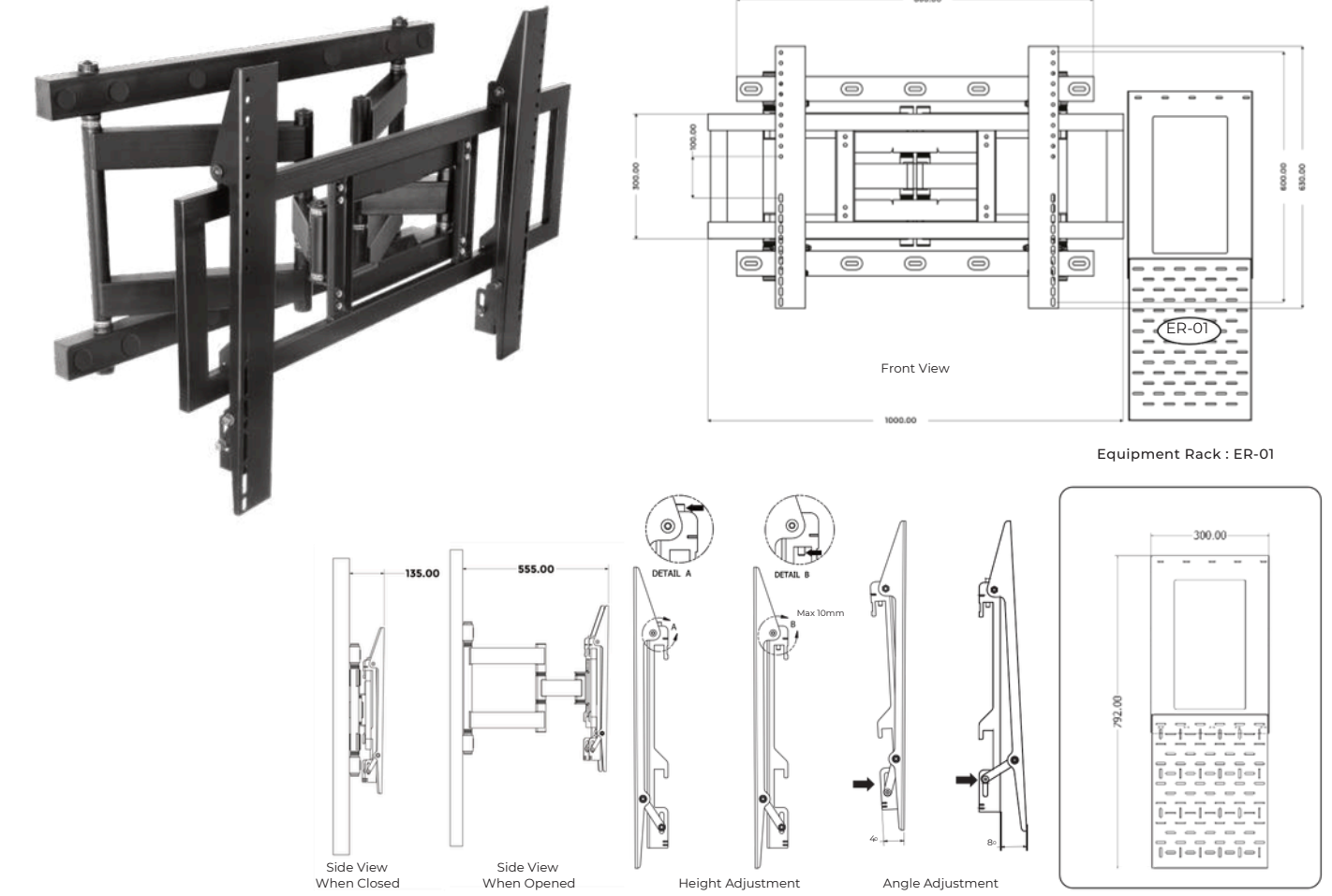
LGWM-5586SW
Swivel Mount Bracket



Model	Max.Load	DisplaySizes	VESA	Product Weight	Shipping Weight
LGWM-5586SW	110 lbs (50 kg)	55" to 86"	100 x 100 to 600 x 400	18.0 kg	20.0 kg

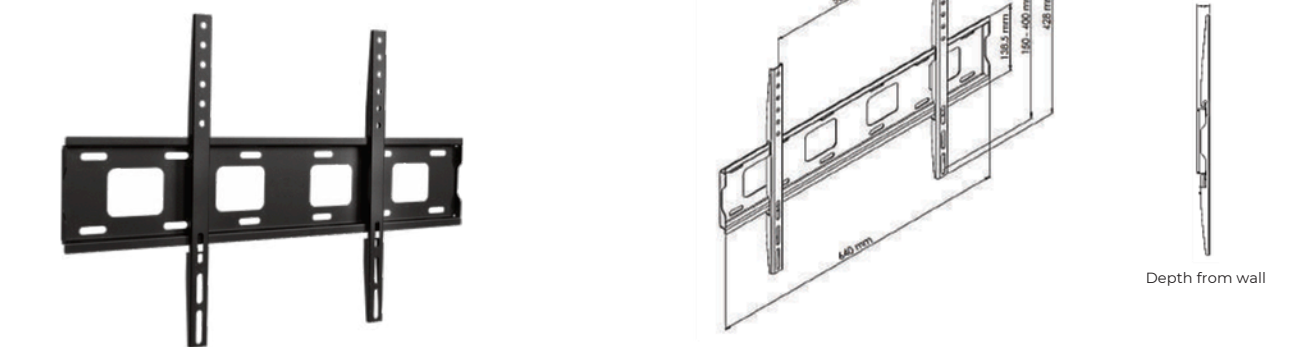
*Dimensions in mm

LGWM-5598SW
Swivel Mount Bracket



Model	Max.Load	DisplaySizes	VESA	SwivelAngle	Product Weight	Shipping Weight
LGWM-5598SW	265 lbs (120 kg)	55" to 98"	400 x 400 to 900 x 600	30 ° for 98" display	28.5 kg	32 kg
ER-01	22 lbs (10 kg)	75" to 98"	-	-	2.6 kg	-

LGWM-3265F-IN
Fixed Wall Mount Bracket

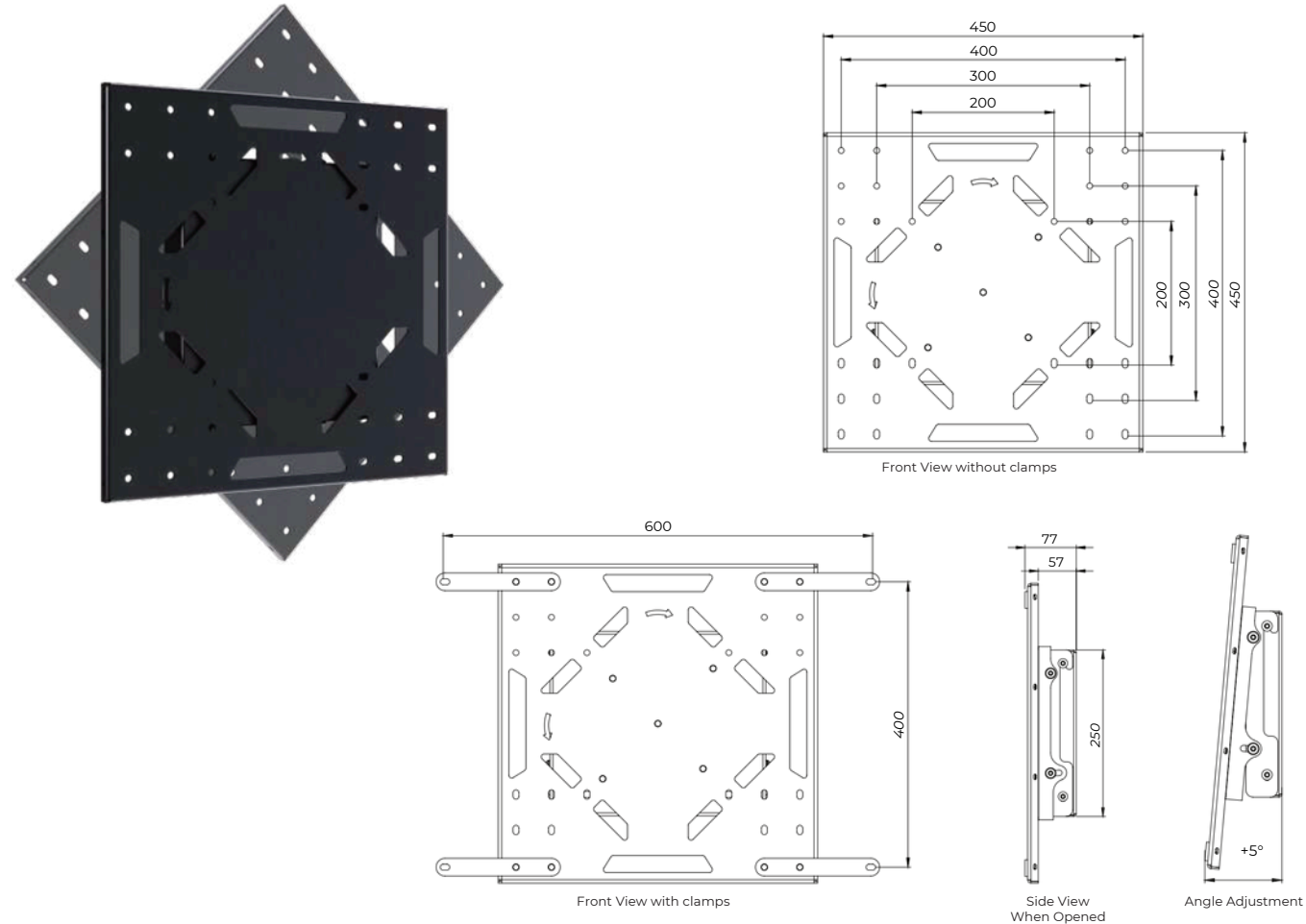


Model	Max.Load	DisplaySizes	VESA	Product Weight	Shipping Weight
LGWM-3265F-IN	99 lbs (45 kg)	32" to 65"	100 x 100 to 600 x 400	1.9 kg	2.05 kg

*Dimensions in mm

LGWM-4365-R **NEW**

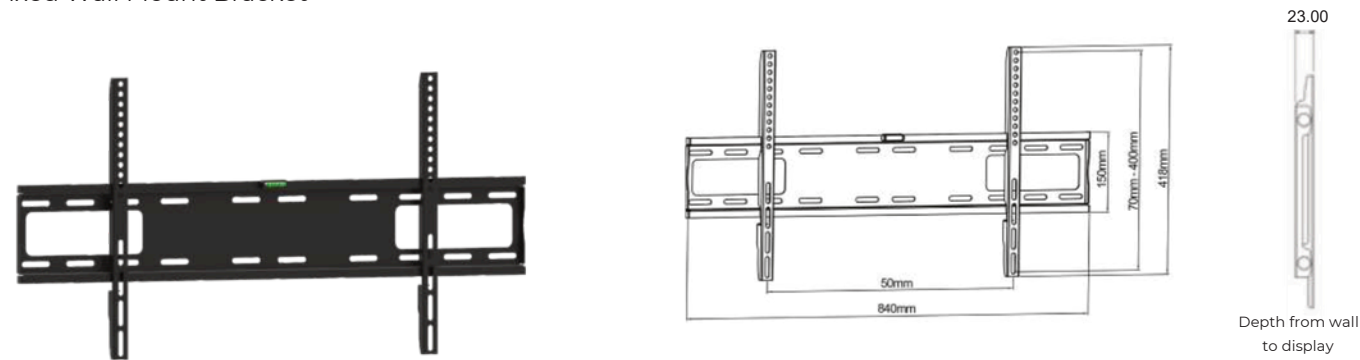
Rotational Wall Mount Bracket (Landscape / Portrait)



Model	Max.Load	DisplaySizes	VESA	Rotation	Product Weight	Shipping Weight
LGWM-4365-R	110.2 lbs (50 kg)	43" to 65"	200 x 200 to 600 x 400	90°	11 kg	15 kg

LGWM-3790F

Fixed Wall Mount Bracket

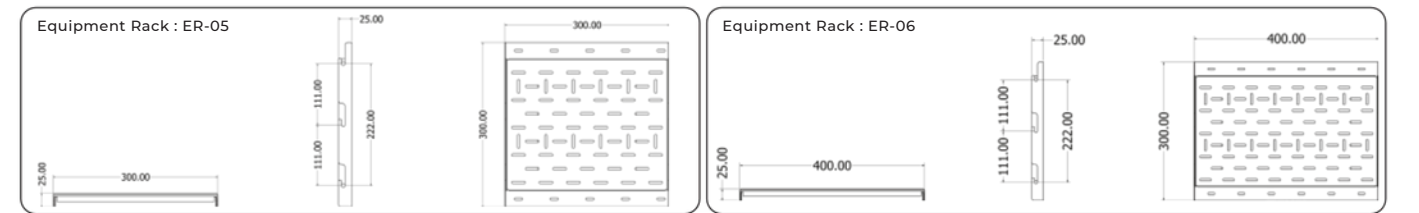
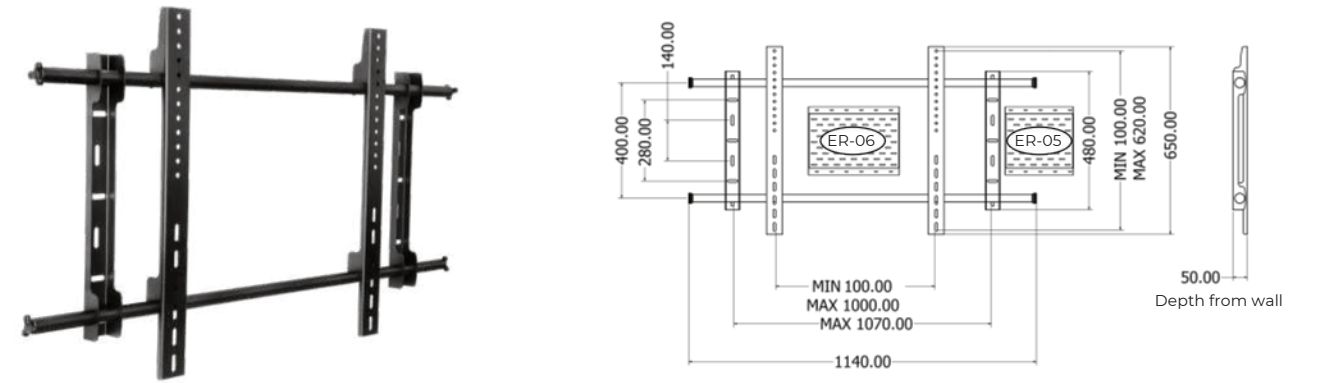


Model	Max.Load	DisplaySizes	VESA	Product Weight	Shipping Weight
LGWM-3790F	165 lbs (75 kg)	37" to 90"	100 x 100 to 800 x 400	2.0 kg	2.3 kg

*Dimensions in mm

LGF-98

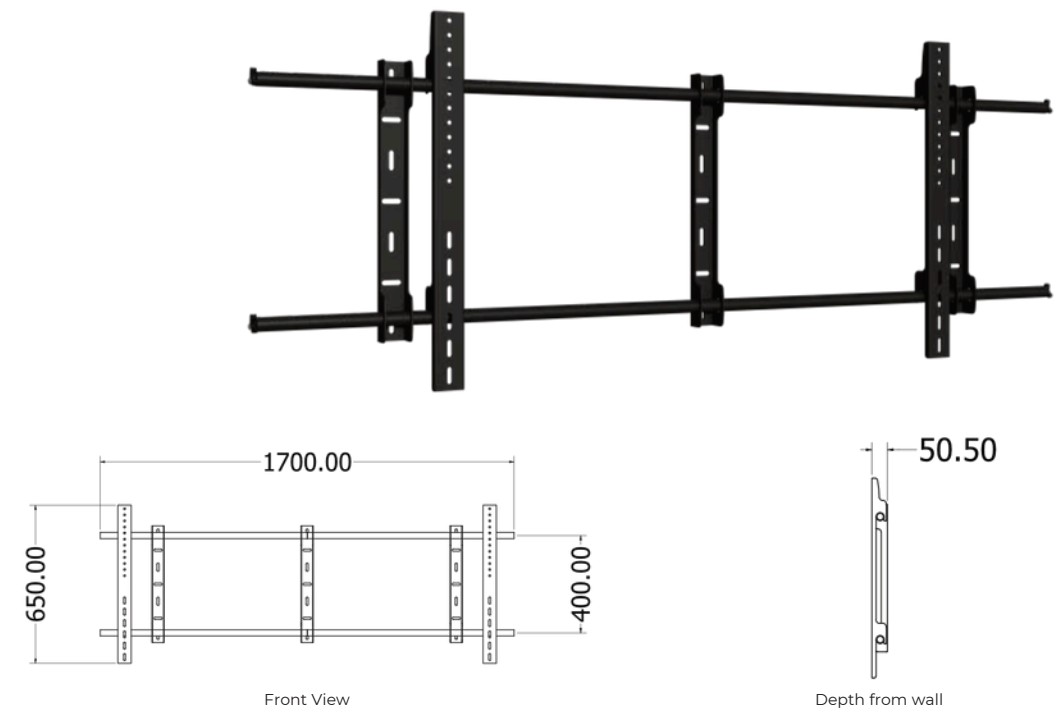
Fixed Wall Mount Bracket



Model	Max.Load	DisplaySizes	VESA	Product Weight	Shipping Weight
LGF-98	242 lbs (110 kg)	75" to 98"	100 x 100 to 1000 x 600	6.3 kg	6.8 kg
ER-05	22 lbs (10 kg)	55" to 98"	-	1.8 kg	-
ER-06	22 lbs (10 kg)	55" to 98"	-	2.2 kg	-

LGF-110 **NEW**

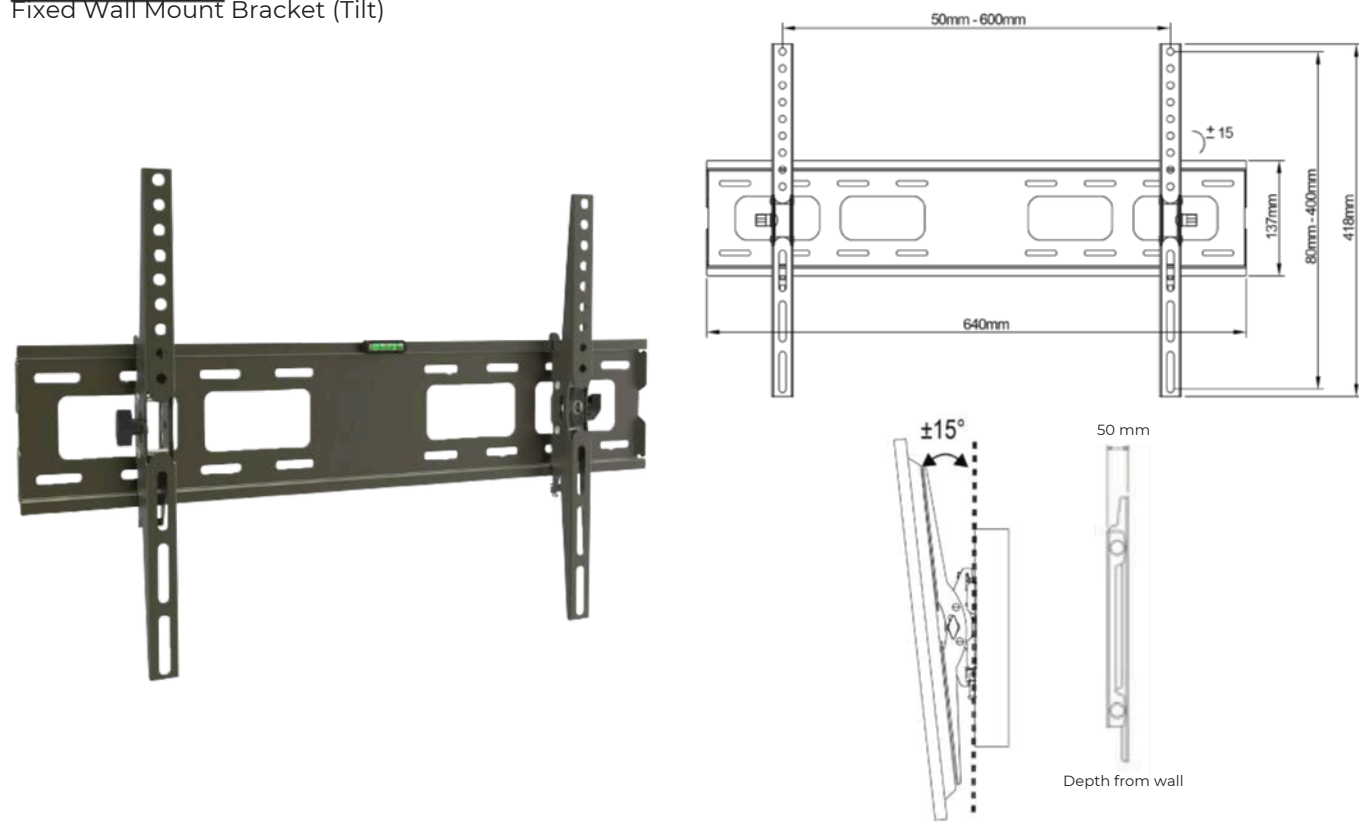
Fixed Wall Mount Bracket



Model	Max.Load	DisplaySizes	VESA	Product Weight	Shipping Weight
LGF-110	286.6 lbs (130 kg)	98" to 110"	400 x 400 to 1500 x 600	8.5 kg	9.0 kg

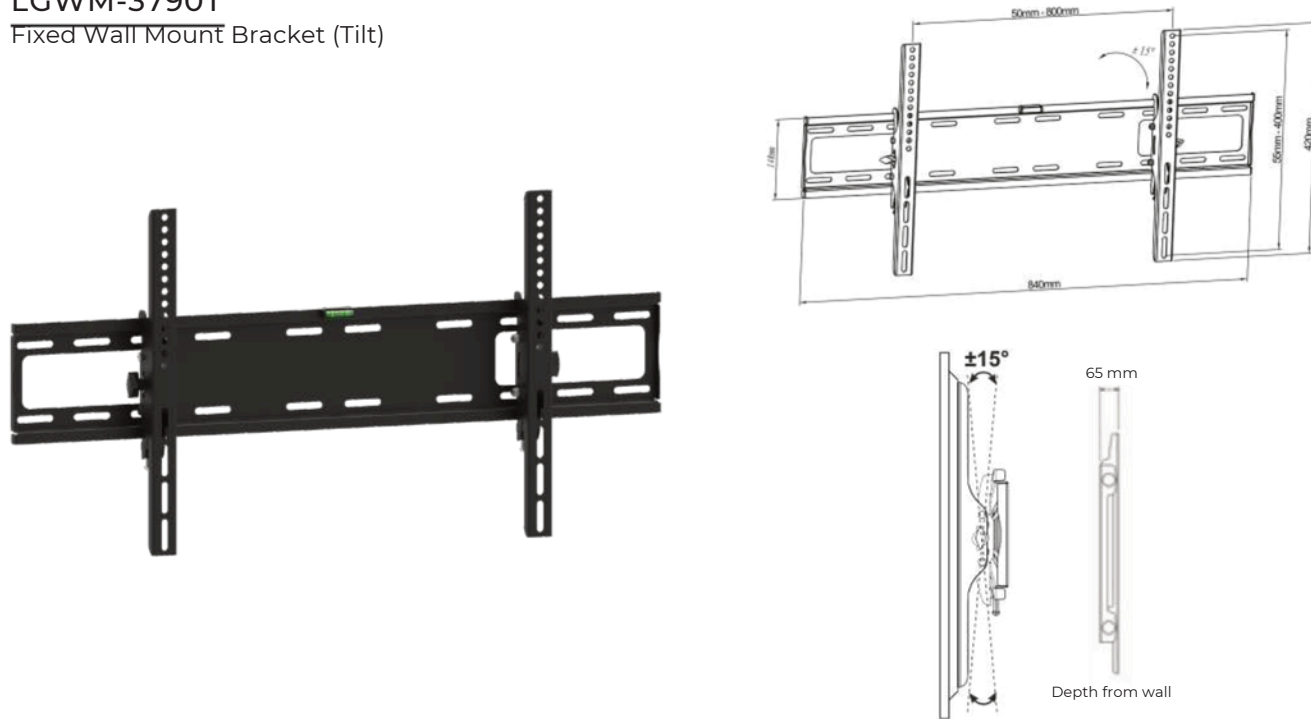
*Dimensions in mm

LGWM-3265T
Fixed Wall Mount Bracket (Tilt)



Model	Max.Load	DisplaySizes	VESA	Product Weight	Shipping Weight
LGWM-3265T	88 lbs (40 kg)	32" to 65"	100 x 100 to 600 x 400	1.4 kg	1.8 kg

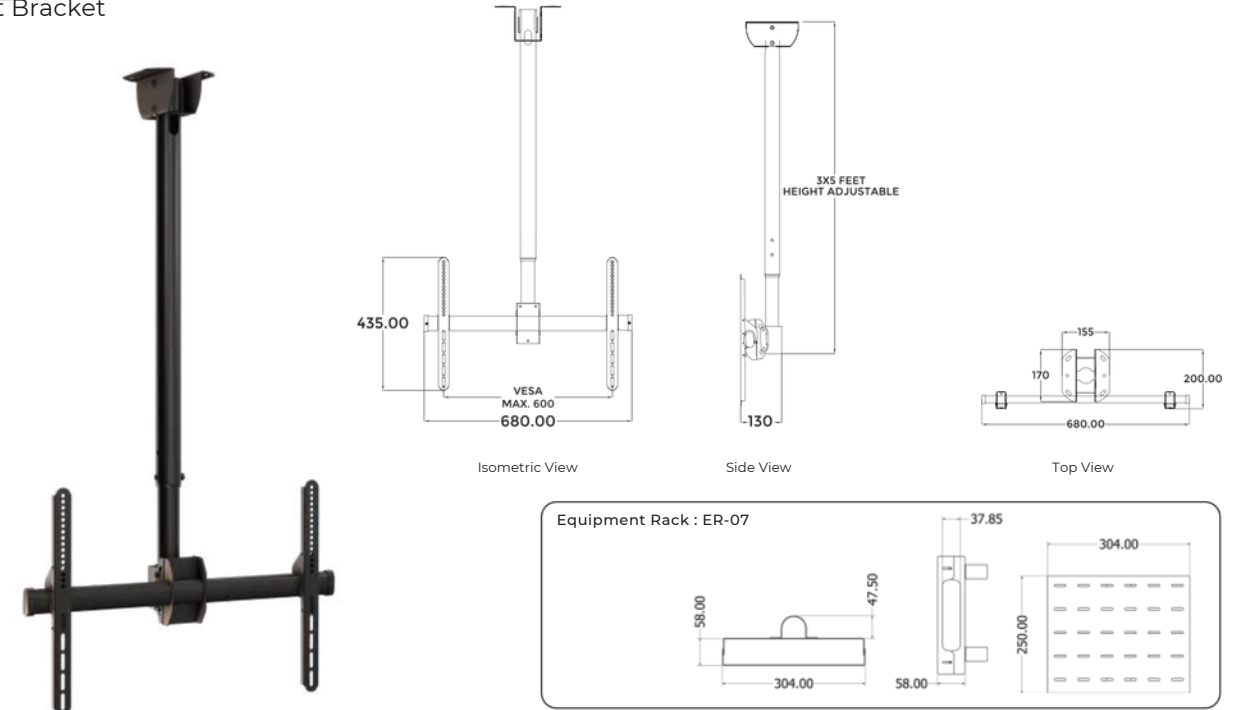
LGWM-3790T
Fixed Wall Mount Bracket (Tilt)



Model	Max.Load	DisplaySizes	VESA	Product Weight	Shipping Weight
LGWM-3790T	165 lbs (75 kg)	37" to 90"	100 x 100 to 800 x 400	2.4 kg	3.1 kg

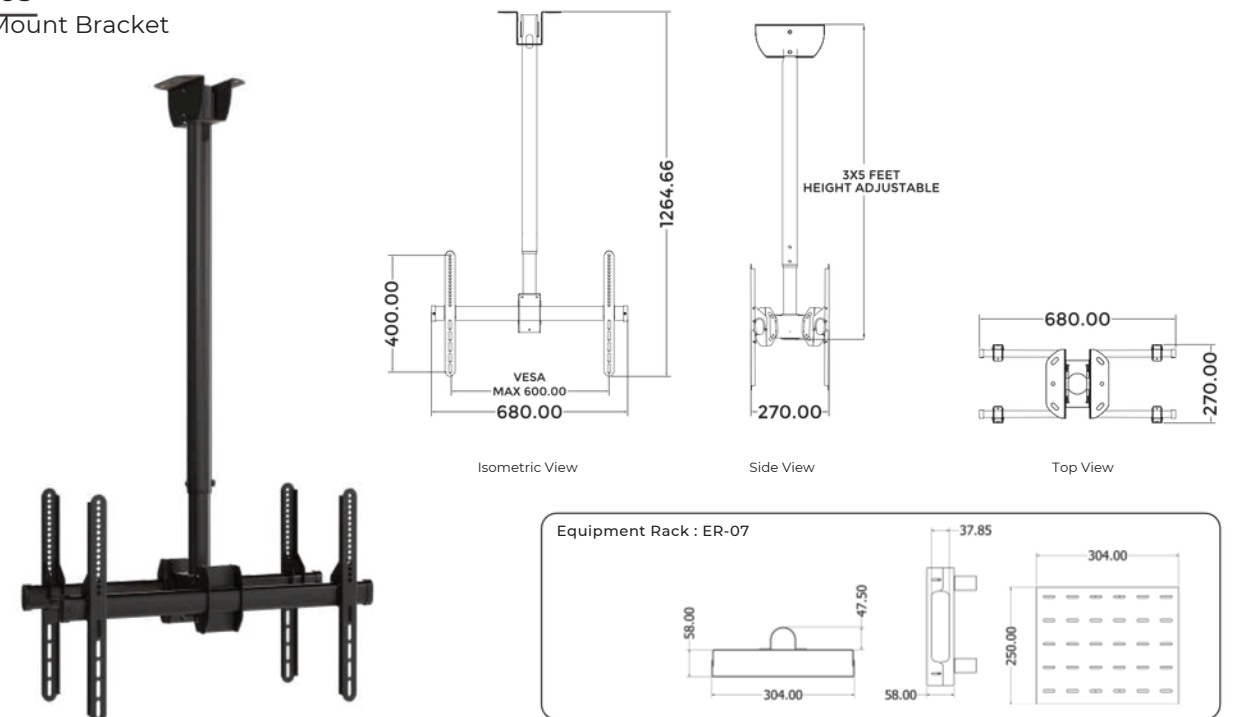
*Dimensions in mm

LGCM-65-5
Ceiling Mount Bracket



Model	Max.Load	DisplaySizes	VESA	Product Weight	Shipping Weight
LGCM-65-5	110 lbs (50 kg)	42" to 65"	200 x 200 to 600 x 400	6.3 kg	7.3 kg
ER-07	22 lbs (10 kg)	55" to 65"	-	2.0 kg	-

LG-CMBB-65
Ceiling Dual Mount Bracket



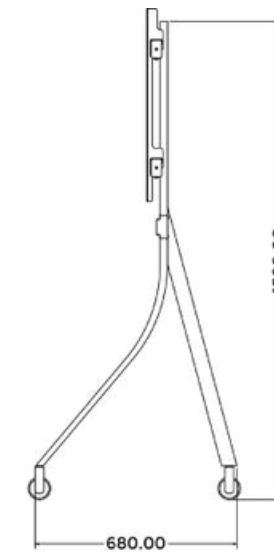
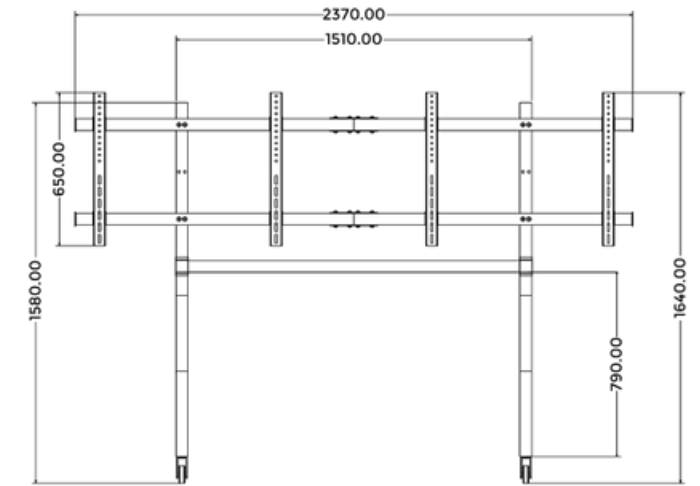
Model	Max.Load	DisplaySizes	VESA	Product Weight	Shipping Weight
LG-CMBB-65	220 lbs (100 kg)	42" to 65"	200 x 200 to 600 x 400	9.0 kg	10.0 kg
ER-07	22 lbs (10 kg)	55" to 65"	-	2.0 kg	-

*Dimensions in mm

FLOOR MOUNT TROLLEYS



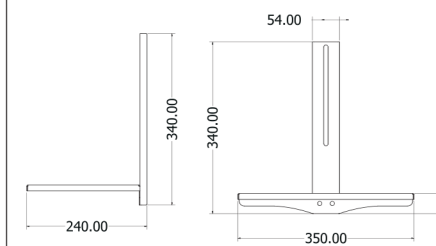
LGFS-5565D
DUAL FLOOR MOUNT TROLLEY



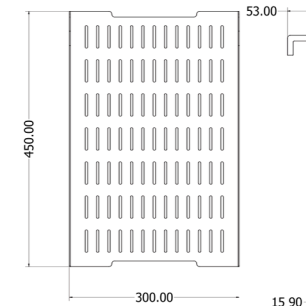
Side View

Optional Accessories :

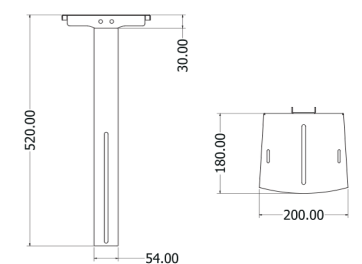
Equipment Tray : ET-LGFS-6598



Equipment Rack : ER-LGFS-6598



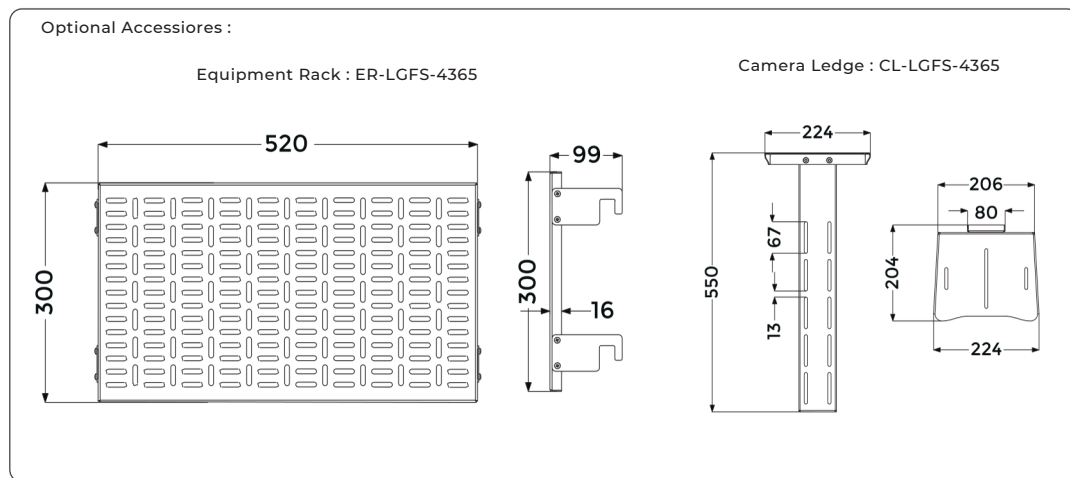
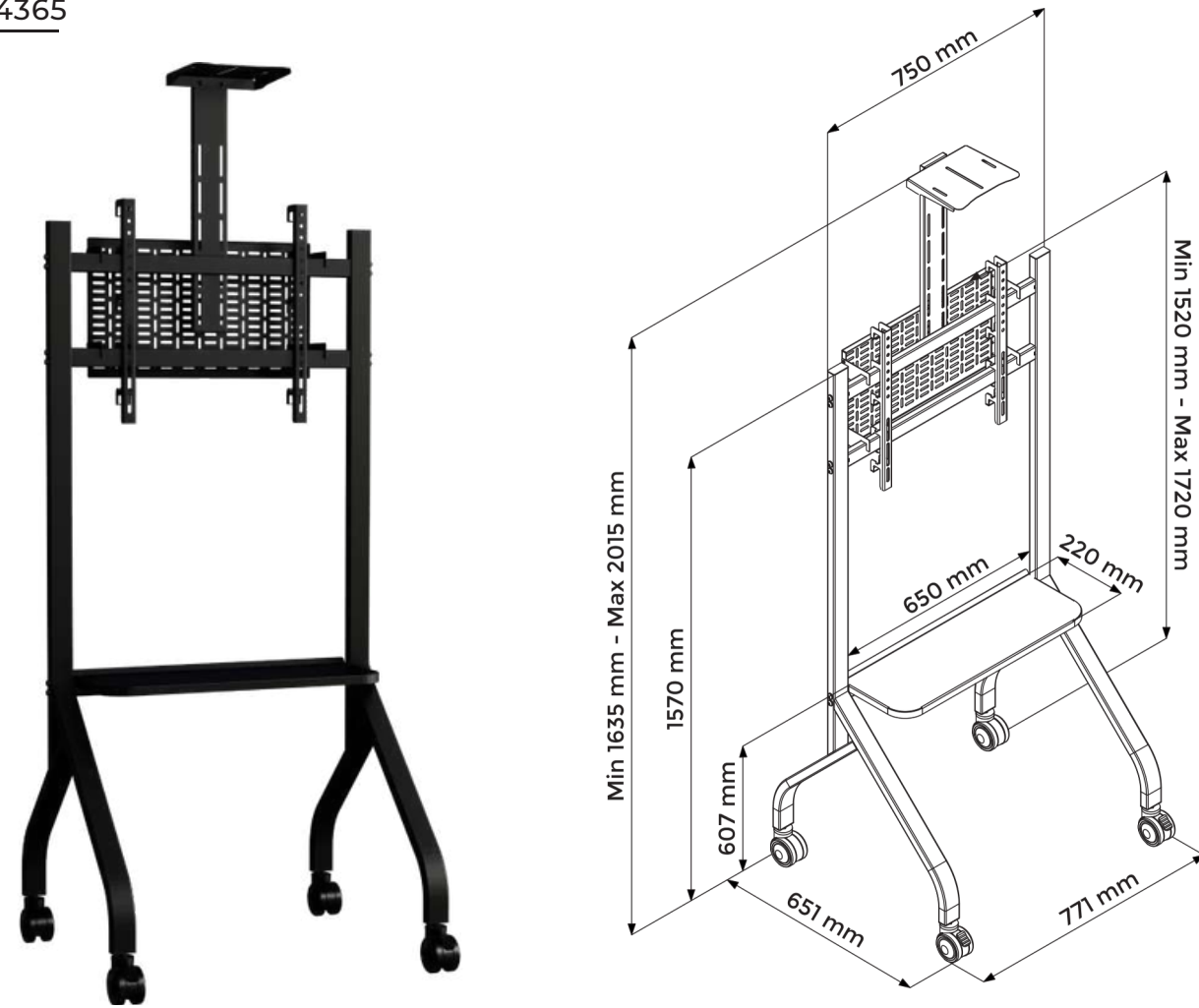
Camera Ledge : CL-LGFS-6598



Model	Max.Load	DisplaySizes	VESA	Product Weight	Shipping Weight
LGFS-5565D	176.37 lbs (80 kg)	55" to 65"	400 x 400 to 800 x 600	34 kg	41 kg
ER-LGFS-6598	22 lbs (10 kg)	65" to 98"	-	1.5 kg	-
ET-LGFS-6598	15.4 lbs (7 kg)	-	-	1.5 kg	-
CL-LGFS-6598	6.6 lbs (3 kg)	-	-	1.1 kg	-

*Dimensions in mm

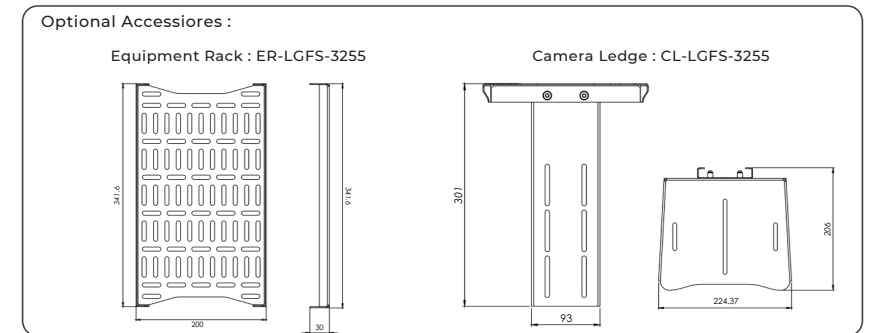
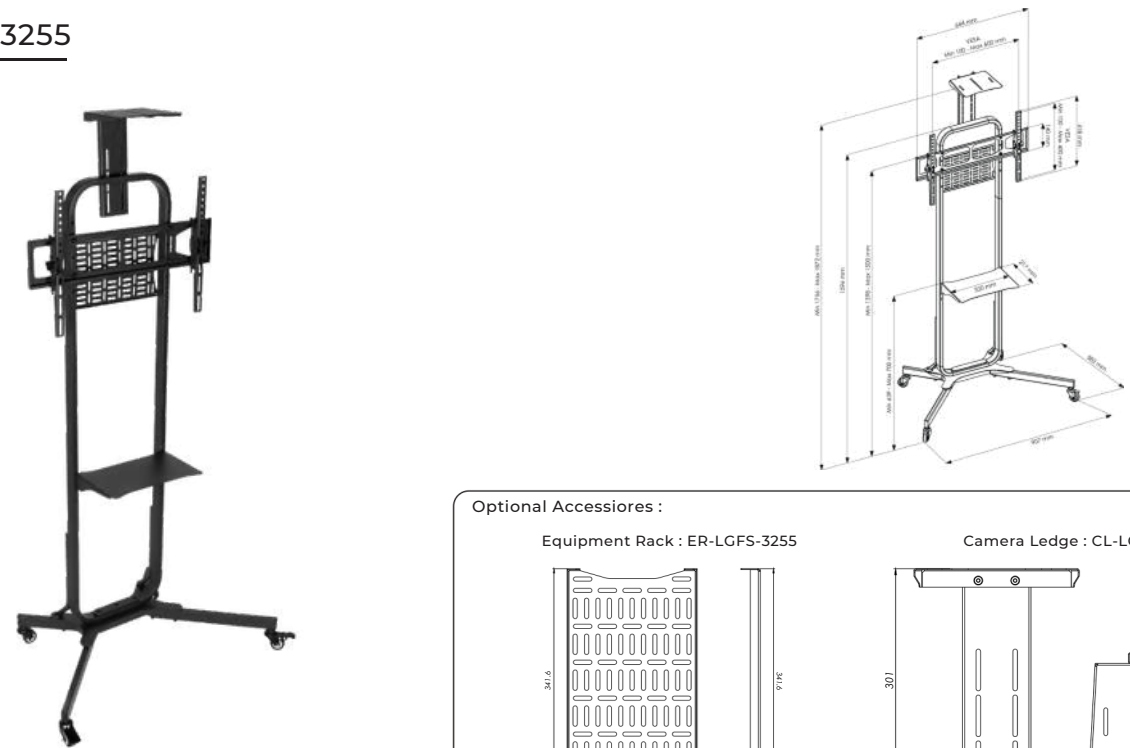
LGFS-4365



Model	Max.Load	DisplaySizes	VESA	Product Weight	Shipping Weight
LGFS-4365	110.2 lbs (50 kg)	43" to 65"	100 x 100 to 600 x 400	17 kg	21 kg
ER-LGFS-4365	22 lbs (10 kg)	65" to 98"	-	1.83 kg	-
CL-LGFS-4365	6.6 lbs (3 kg)	-	-	1.25 kg	-

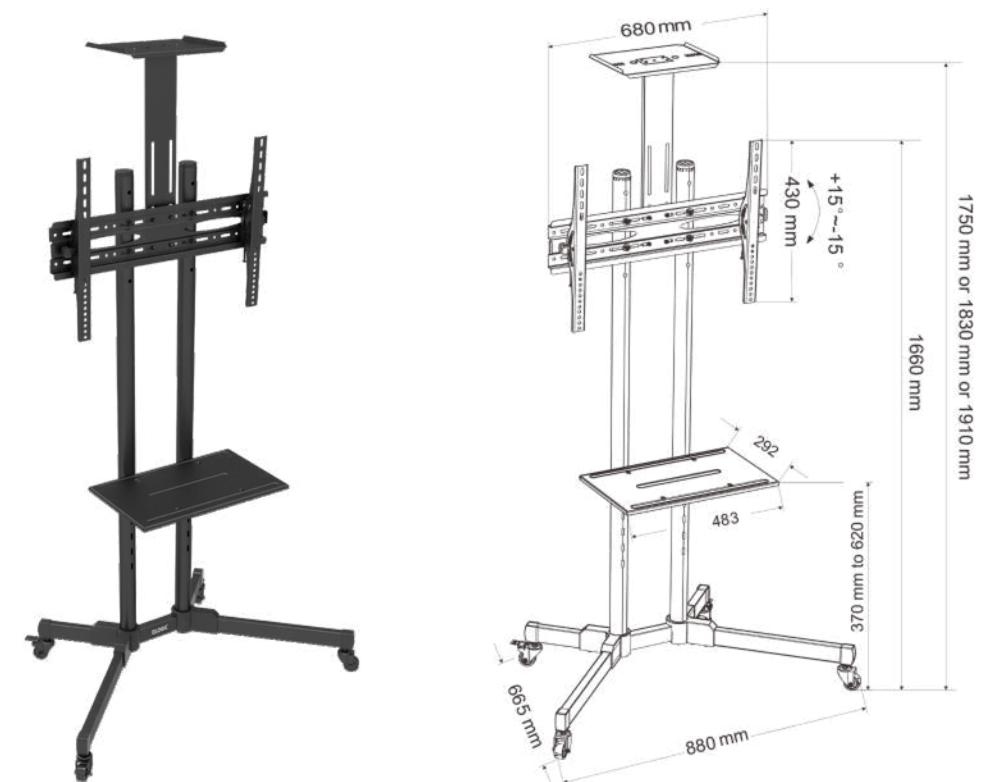
*Dimensions in mm

LGFS-3255



Model	Max.Load	DisplaySizes	VESA	Product Weight	Shipping Weight
LGFS-3255	88.1 lbs (40 kg)	32" to 55"	100 x 100 to 600 x 400	15 kg	18 kg
CL-LGFS-3255	22 lbs (10 kg)	-	-	0.68 kg	-
ER-LGFS-3255	6.6 lbs (3 kg)	-	-	1.03 kg	-

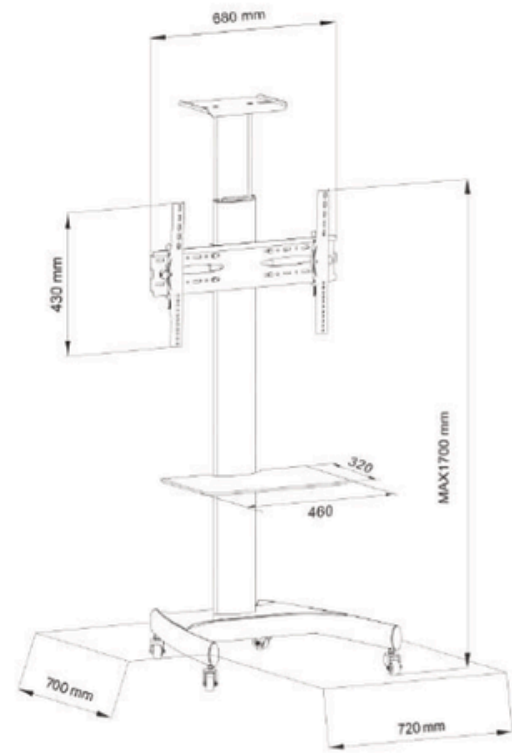
LG-OPEL



Model	Max.Load	VC Camera Mount	VESA	DisplaySizes	Product Weight	Shipping Weight
LG-OPEL	71 lbs (32 kg)	Yes	200 x 200 to 600 x 400	32" to 55"	14 kg	17 kg

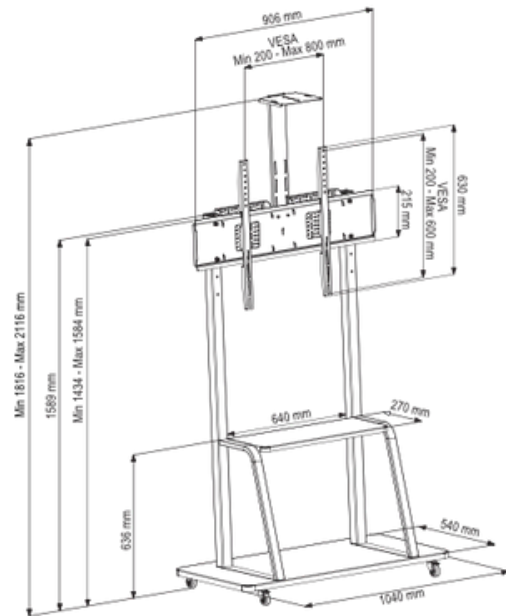
*Dimensions in mm

LG-CORAL



Model	Max.Load	VC Camera Mount	VESA	DisplaySizes	Product Weight	Shipping Weight
LG-CORAL	88 lbs (40 kg)	Yes	200 x 200 to 600 x 400	32" to 65"	21.0 kg	23.0 kg

LGFS-5586-N23



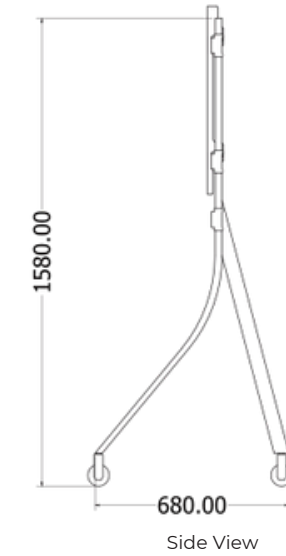
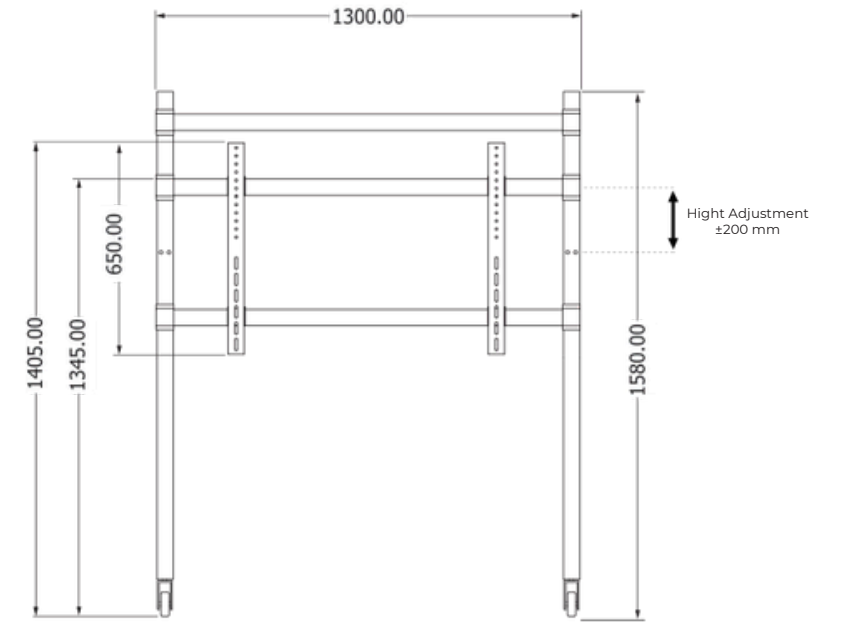
Optional Accessories :
Equipment Rack : ER-LGFS-5586-N23

Camera Ledge : CL-LGFS-5586-N23

Model	Max.Load	DisplaySizes	VESA	Product Weight	Shipping Weight
LGFS-5586-N23	165 lbs (75 kg)	55" to 86"	200 x 200 to 800 x 600	29 kg	33 kg
N23 CL-LGFS-5586-N23	22 lbs (10 kg)	-	-	0.86 kg	-
N23	6.6 lbs (3 kg)	-	-	1.3 kg	-

*Dimensions in mm

LGFS-6598



Optional Accessories :

Equipment Tray : ET-LGFS-6598

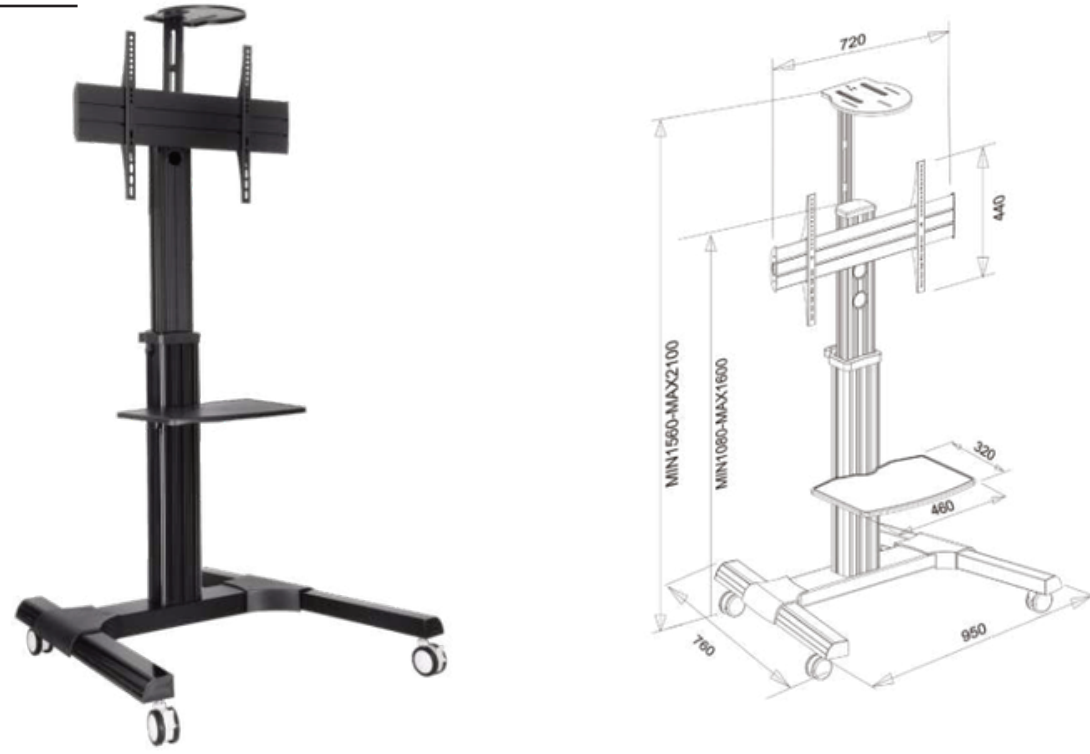
Equipment Rack : ER-LGFS-6598

Camera Ledge : CL-LGFS-6598

Model	Max.Load	DisplaySizes	VESA	Product Weight	Shipping Weight
LGFS-6598	265 lbs (120 kg)	65" to 98"	400 x 400 to 900 x 600	24 kg	30 kg
ER-LGFS-6598	22 lbs (10 kg)	65" to 98"	-	1.5 kg	-
ET-LGFS-6598	15.4 lbs (7 kg)	-	-	1.5 kg	-
CL-LGFS-6598	6.6 lbs (3 kg)	-	-	1.1 kg	-

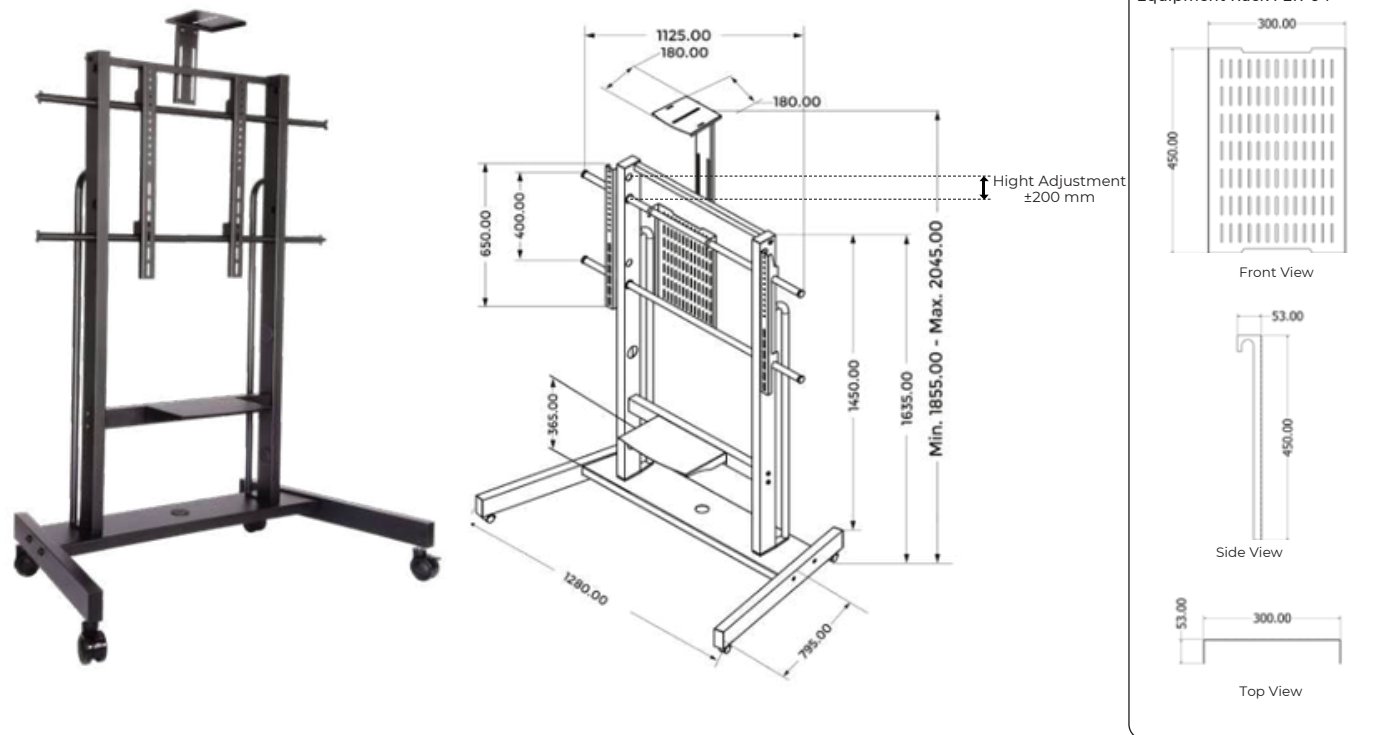
*Dimensions in mm

LG-EMERALD 1



Model	Max.Load	VC Camera Mount	VESA	DisplaySizes	Product Weight	Shipping Weight
LG-EMERALD1	121 lbs (55 kg)	Yes	200 x 200 to 600 x 400	40" to 70"	22.0 kg	25.0 kg

LG-EMERALD 3-N20



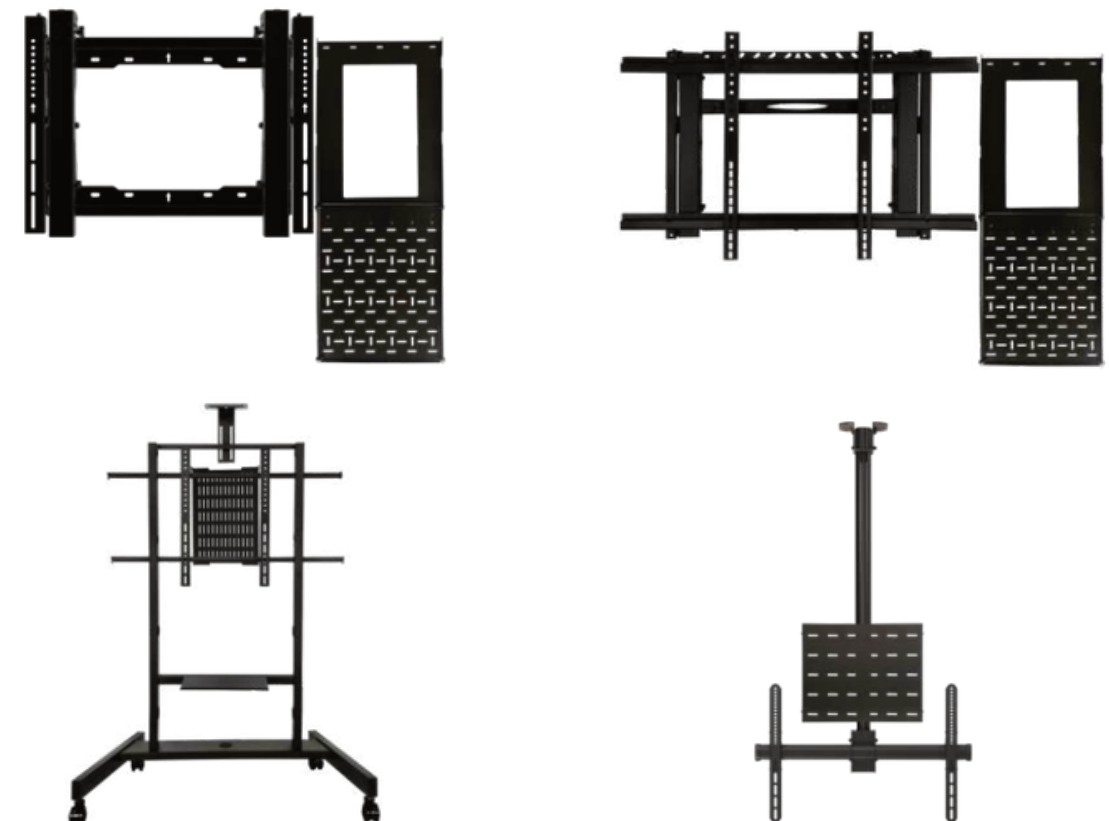
Model	Max.Load	DisplaySizes	VESA	Product Weight	Shipping Weight
LG-EMERALD 3-N20	287 lbs (130 kg)	72" to 98"	400 x 400 to 900 x 600	Base: 20 kg Stand: 20 kg	Base: 22 kg Stand: 22 kg
ER-04	22 lbs (10 kg)	72" to 98"	-	1.6 kg	-

*Dimensions in mm

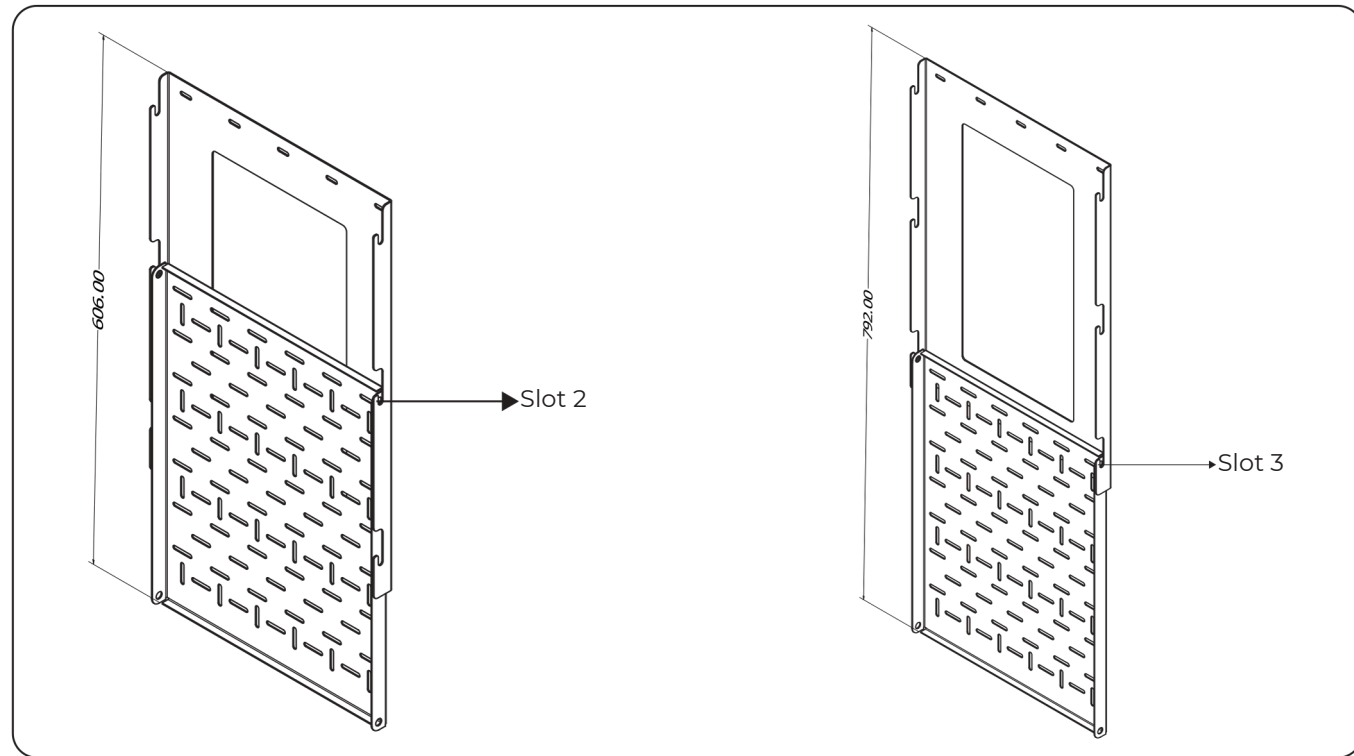
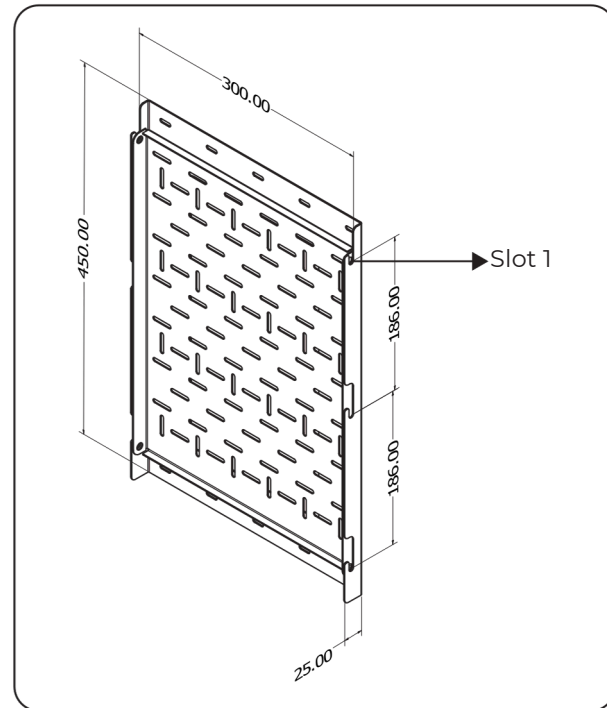
EQUIPMENT RACKS (OPTIONAL ACCESSORIES)



* This Equipment Rack is designed to minimize cable clutter from a rack, it is cost efficient too
CONCEPT IMAGES



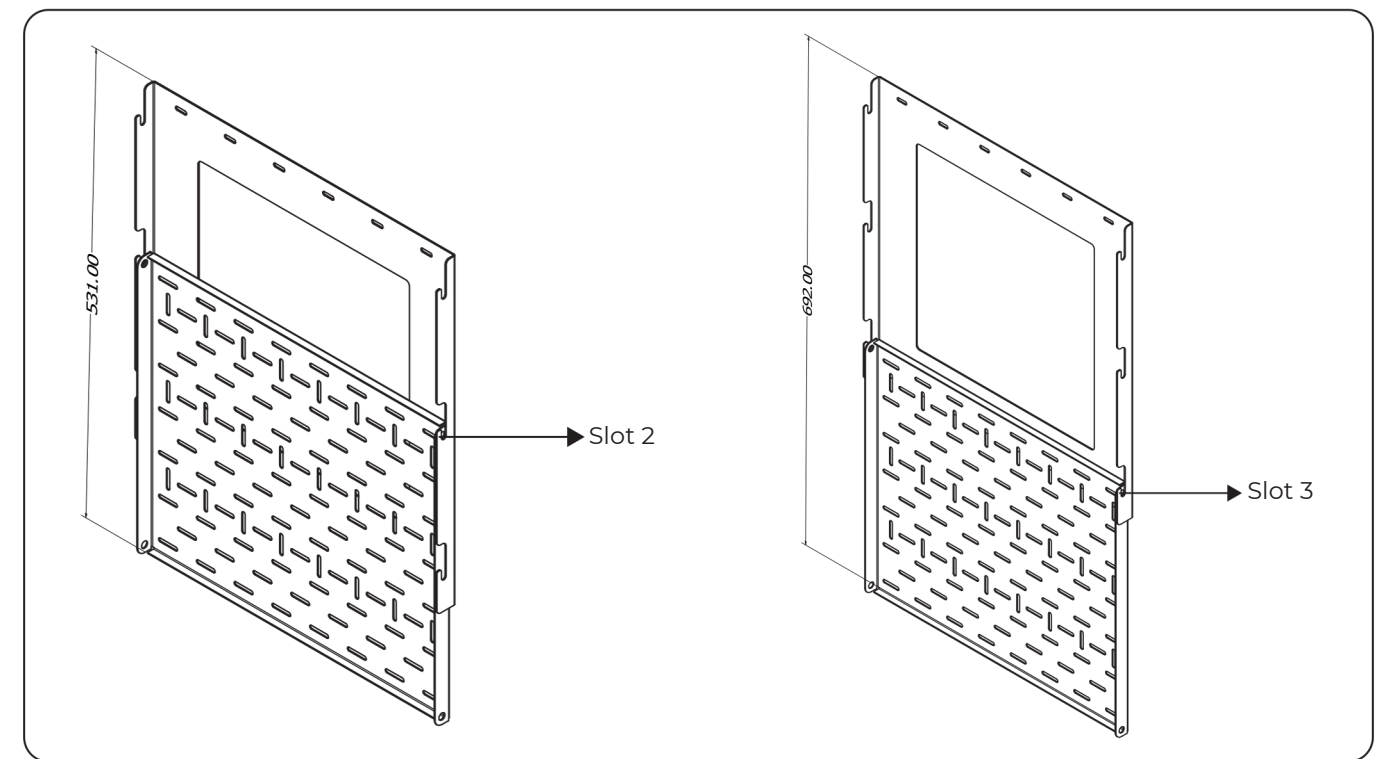
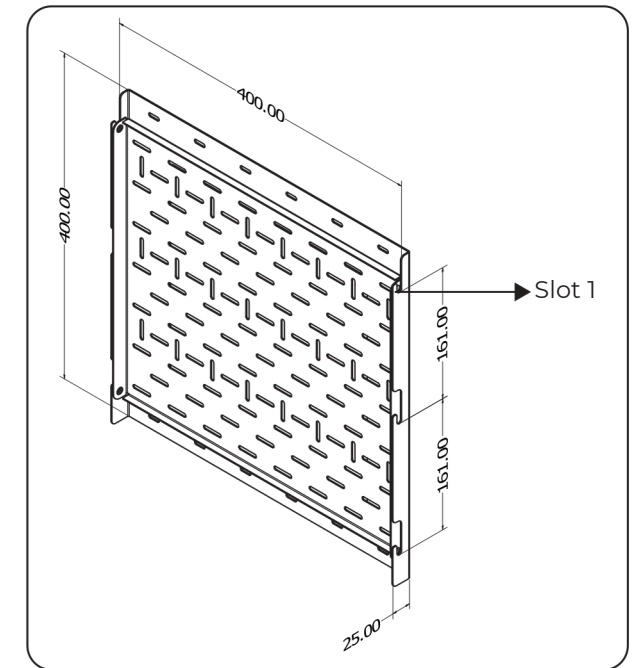
ER-01



Model	Max.Load	Product Weight	Shipping Weight
ER-01	22 lbs (10 kg)	2.6 kg	3.6 kg

*Dimensions in mm

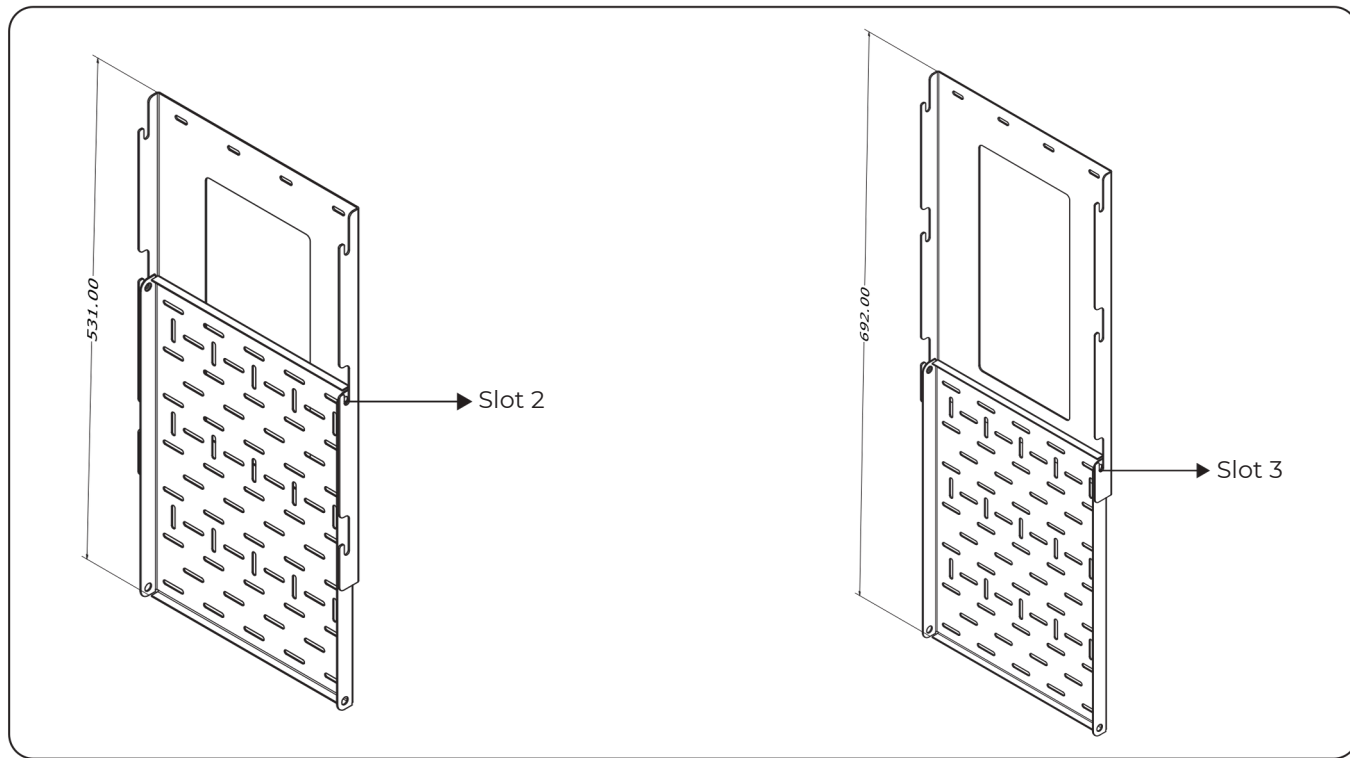
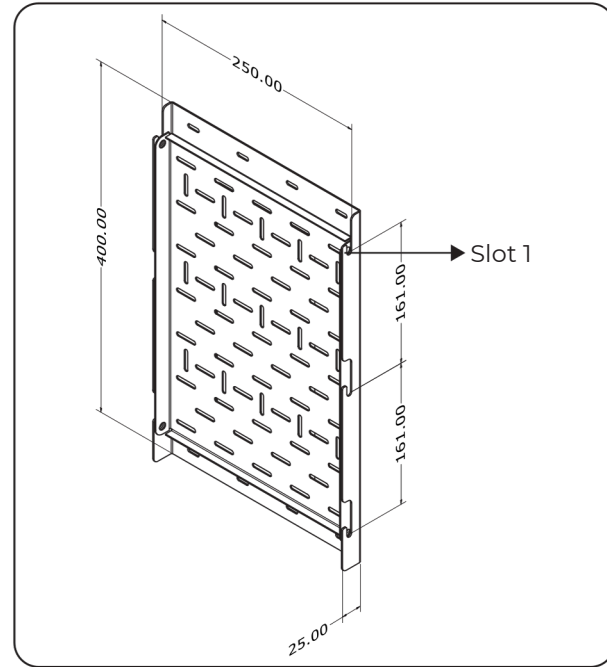
ER-02



Model	Max.Load	Product Weight	Shipping Weight
ER-02	22 lbs (10 kg)	2.3 kg	3.3 kg

*Dimensions in mm

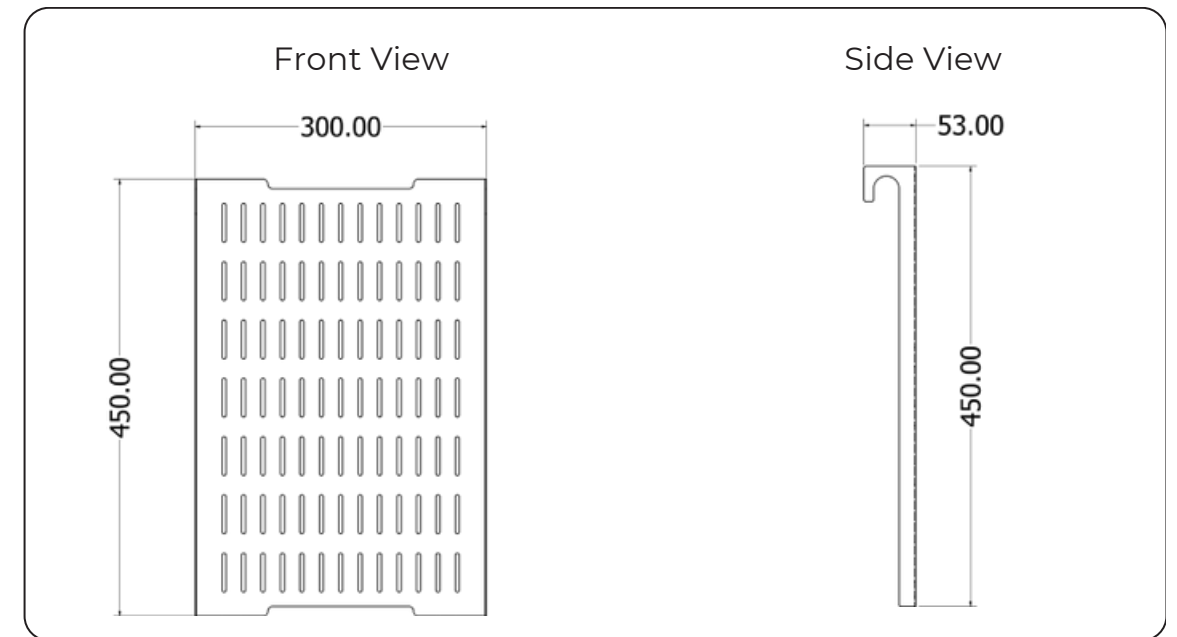
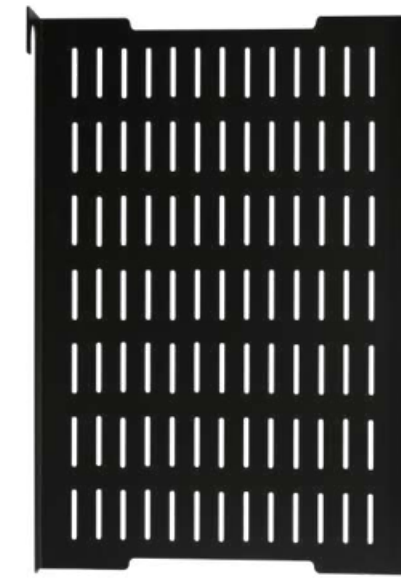
ER-03



Model	Max.Load	Product Weight	Shipping Weight
ER-03	22 lbs (10 kg)	2.1 kg	3.1 kg

*Dimensions in mm

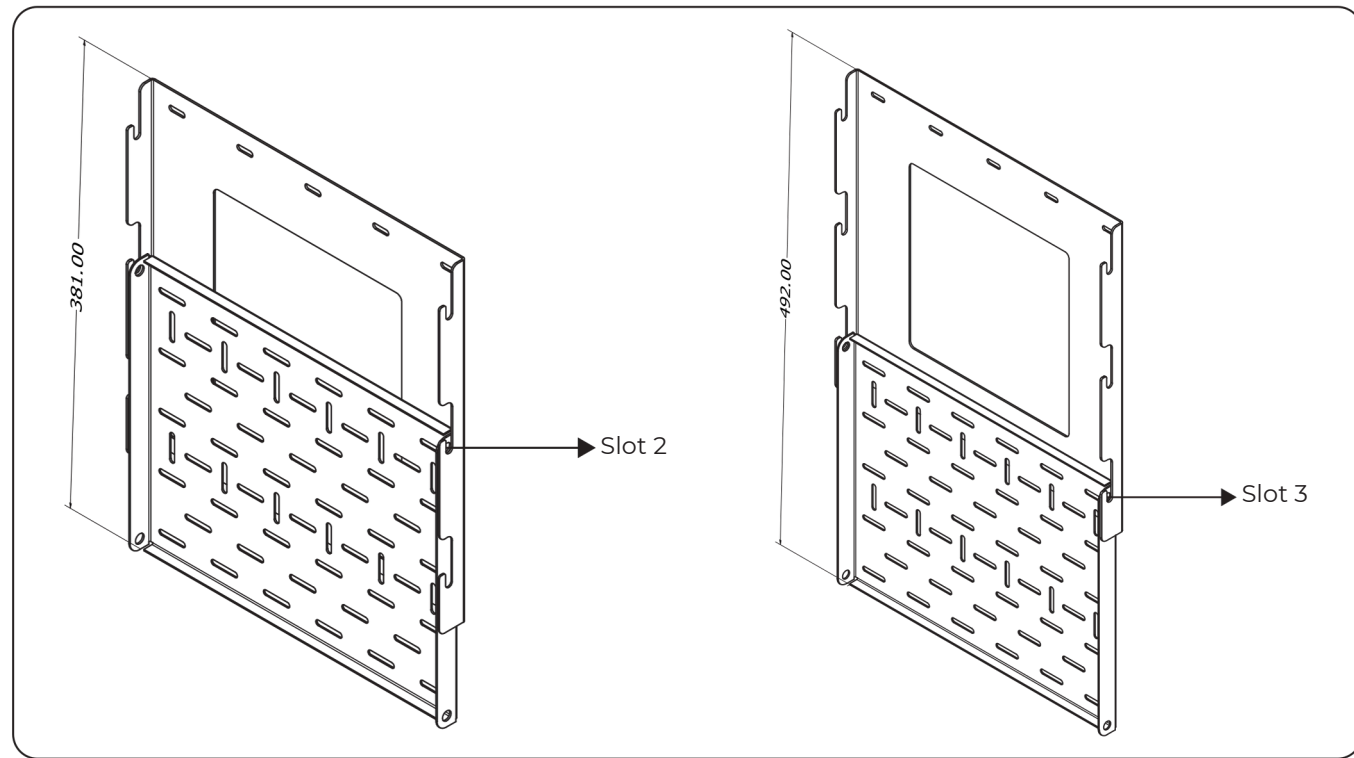
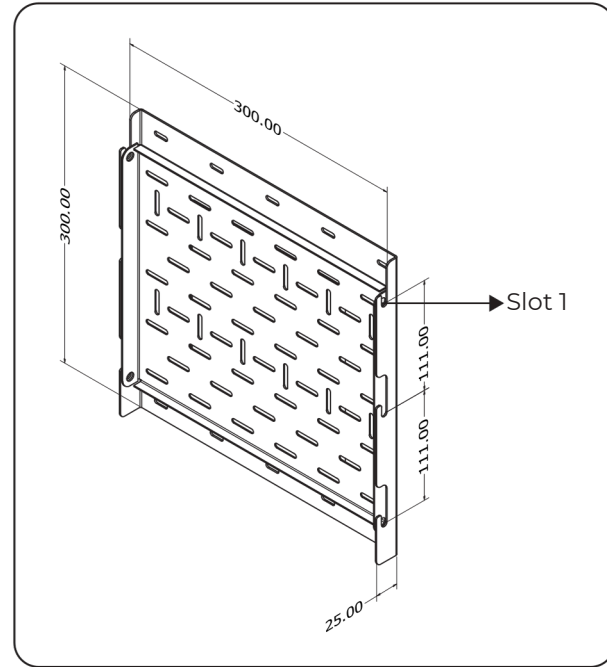
ER-04



Model	Max.Load	Product Weight	Shipping Weight
ER-04	22 lbs (10 kg)	1.6 kg	2.6 kg

*Dimensions in mm

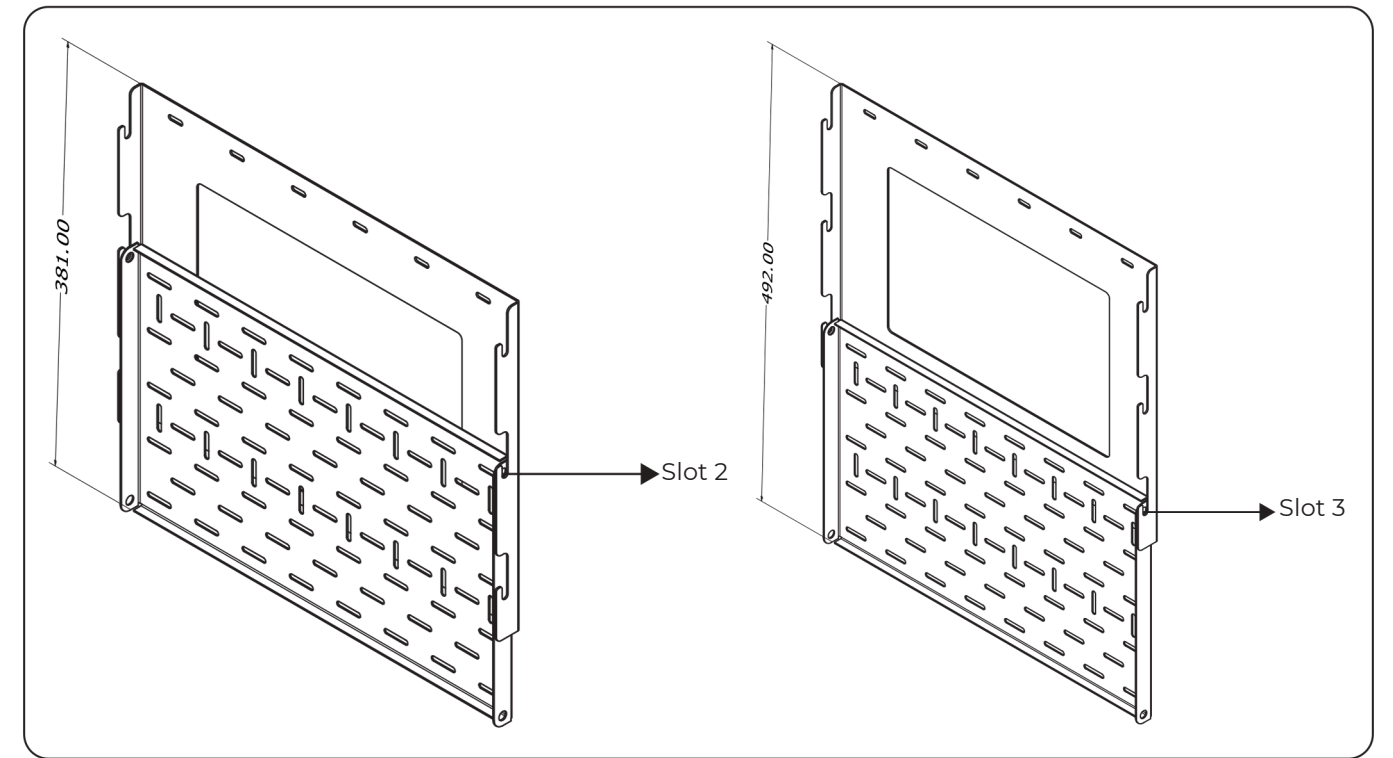
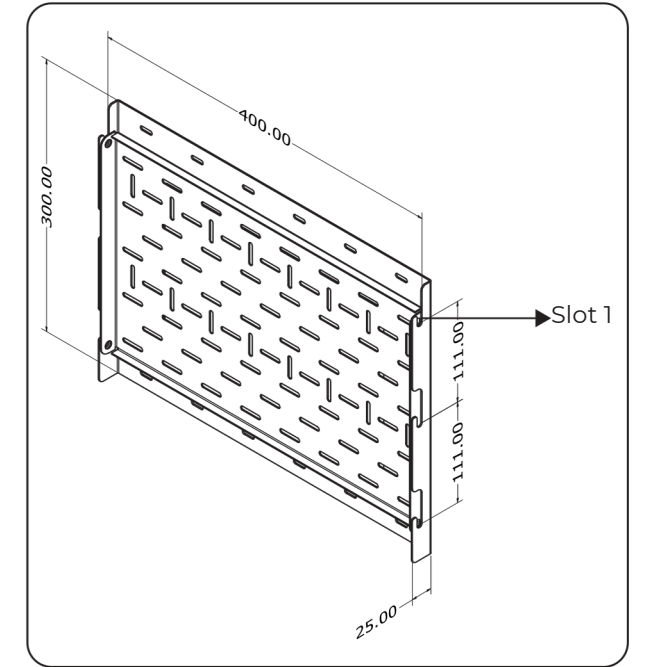
ER-05



Model	Max.Load	Product Weight	Shipping Weight
ER-05	22 lbs (10 kg)	1.8 kg	2.8 kg

*Dimensions in mm

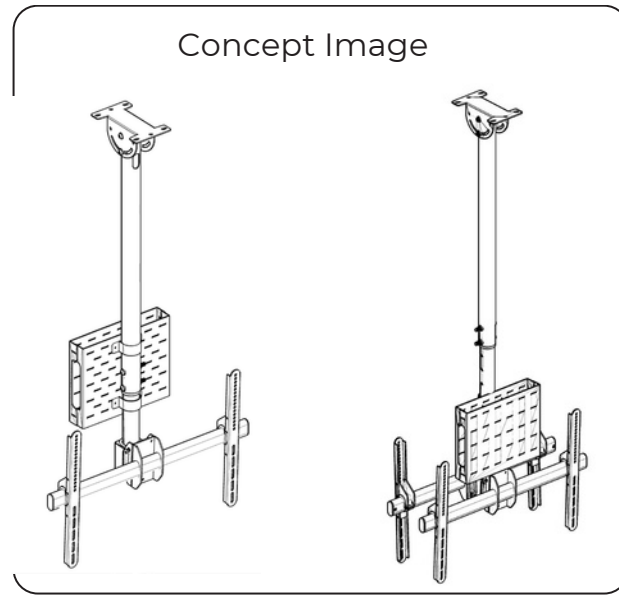
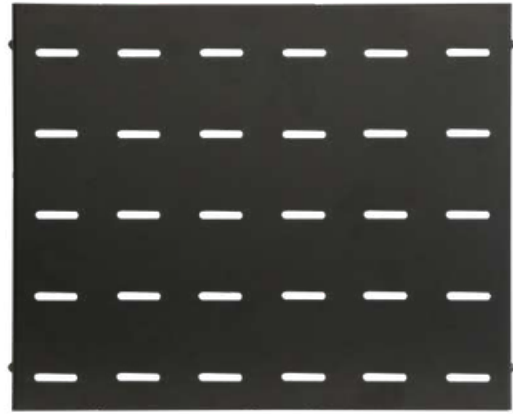
ER-06



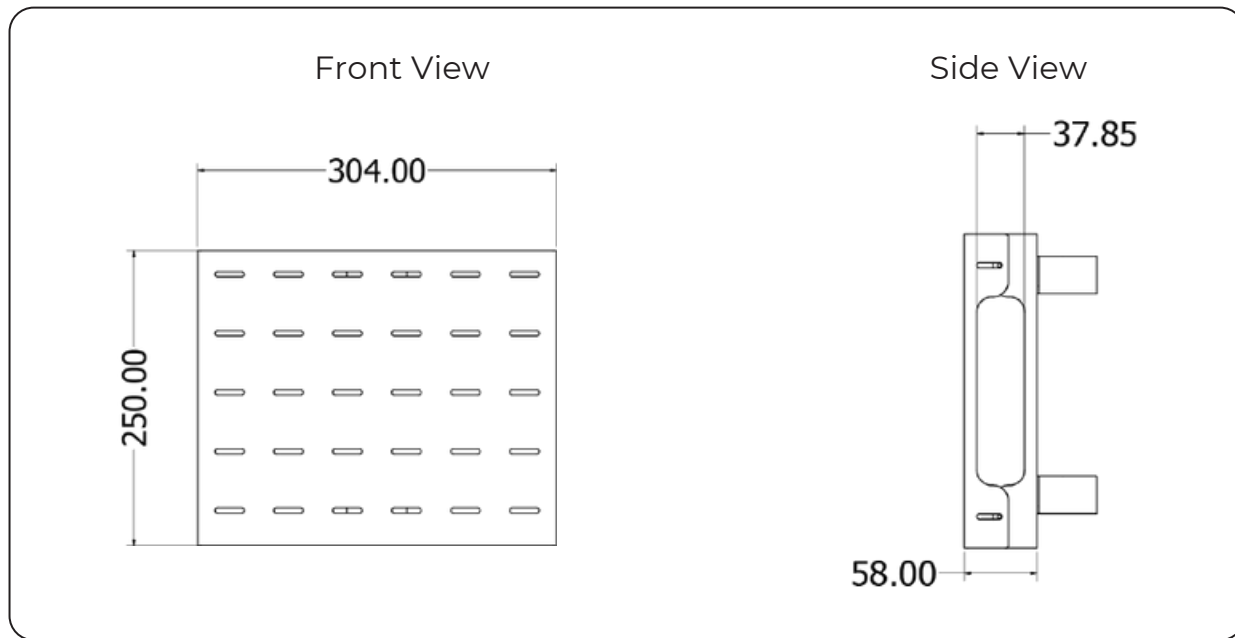
Model	Max.Load	Product Weight	Shipping Weight
ER-06	22 lbs (10 kg)	1.8 kg	2.8 kg

*Dimensions in mm

ER-07



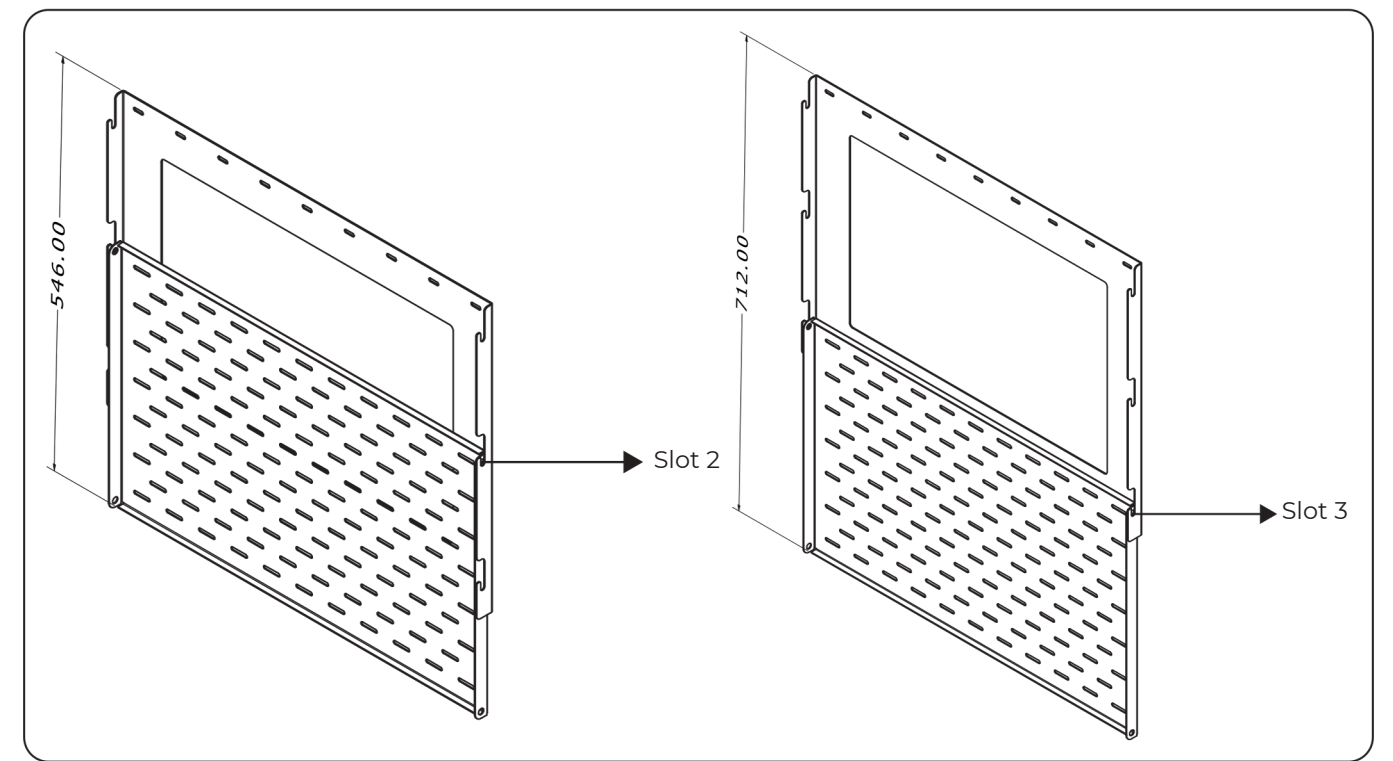
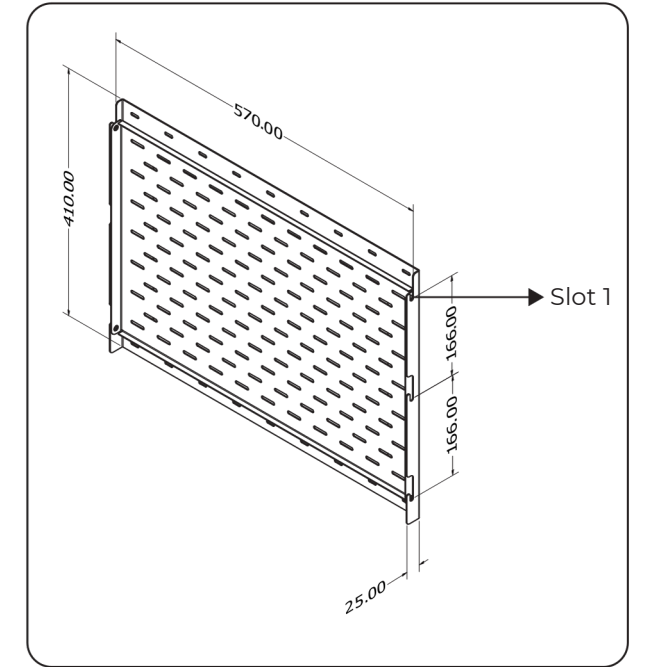
*Suitable for logic ceiling mount bracket: LGCM-65-5 & LG-CMBB-65



Model	Max.Load	Product Weight	Shipping Weight
ER-07	22 lbs (10 kg)	2.0 kg	3.0 kg

*Dimensions in mm

ER-08



Model	Max.Load	Product Weight	Shipping Weight
ER-08	22 lbs (10 kg)	4.2 kg	5.2 kg

*Dimensions in mm



LG-TMM01
Ergonomic Single Monitor Mount



Features

- | Durable gas spring arm.
- | Counter-balance height adjustment.
- | Fast insert function for monitor.
- | Easy for assembly and disassembly.
- | Hidden cable management.
- || Angle-free tilt.
USB port and headset plug integrated.

Model	Max.Load	DisplaySizes	Tilt	Swivel	Rotation	VESA	Product Weight	Shipping Weight
LG-TMM01	17 lbs (8 kg)	15" to 27"	-85°~+90°	180°	360°	75 x 75, 100 x 100	2.95 kg	3.8 kg

LG-LS01
Laptop Raiser

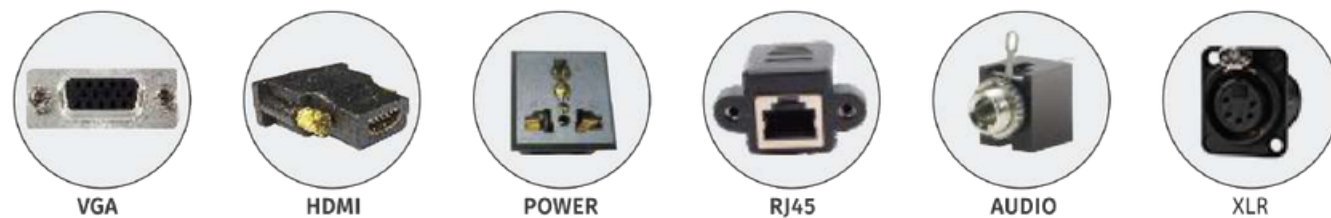


Features

- | 6 adjustable pointing sites to adjust the height to your comfort level.
- | Non sticky and high quality aluminium material allow easy clean & rust-proof function.
- | The anti-slip rubber pad on laptop stand which protects from sliding.
- | Light weight, foldable, pretty small & easy to carry.

Model	Max.Load	LaptopSizes	Tilt	Product Size	Product Weight	Shipping Weight
LG-LS01	11 lbs (5 kg)	11" to 15.6"	6 grade	240x165x55-155mm	245 g	290 g

FLOOR BOXES



LG-FB201

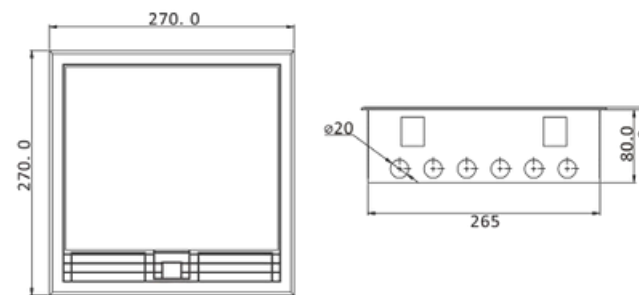


Features

- | The product is an one box solution for many applications
- | Configurable with removable modules
- | It is mainly used for Audio/Video Design
- | It is made of steel and PVC
- | Comes with flat plate inside where the ports can be customized
- | Color Available - Grey

Specification

Floor Cut Out	267 x 267 mm 80 mm 30 mm
Floor Box Depth	270 x 270 mm 8 mm 3,5 kg
Plug Top Clearance	4.0 kg
Overall Frame & Lid	300 x 290 x 100 mm (L x W x H)
Frame Lid Recess	
Product Weight	
Shipping Weight	
Shipping Dimension	



LG-FB202

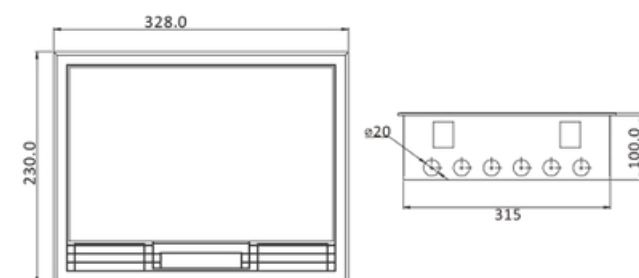


Features

- | The product is an one box solution for many applications
- | Configurable with removable modules
- | It is mainly used for Audio/Video design
- | It is made of PVC
- | Comes with 8 socket holders inside where the ports can be customized
- | The Socket holder can tilt with an angle of 15 degrees
- | Color Available - Grey

Specification

Floor Cut Out	317 x 220 mm
Floor Box Depth	100 mm
Plug Top Clearance	13-48 mm
Overall Frame & Lid	328 x 230 mm
Frame Lid Recess	8 mm
Accessories Plates	177 x 90 mm
Product Weight	2.5 Kg
Shipping Weight	3.0 Kg
Shipping Dimension	360 x 260 x 120 mm (L x W x H)



TABLET DOCKING STATIONS

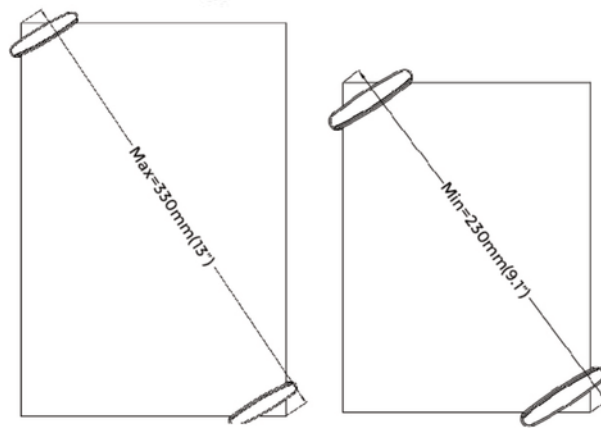


LG-DA



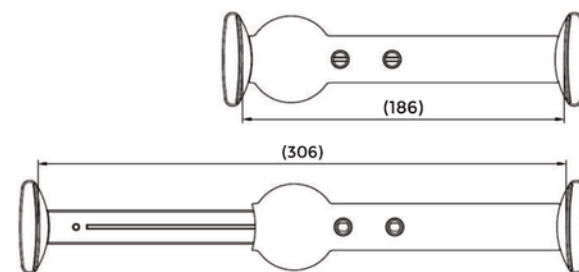
Features

- | Anti-Theft Security device
- | Different Viewing Angles for convenient use
- | Compatible with all tabs having maximum thickness of 11 mm
- | It may not be suitable for tablets with special frame shapes or proportions.
- | Master key option is available for enterprise users
- | Multipurpose applications for trade show, office, shop, school, library, and other public areas



When Opened

When Closed



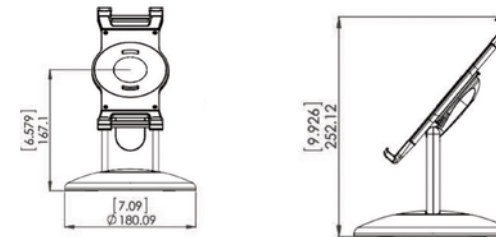
Product Dimensions

LG-DA01

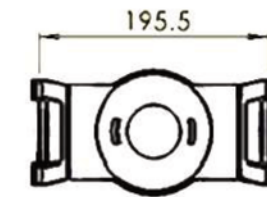


Features

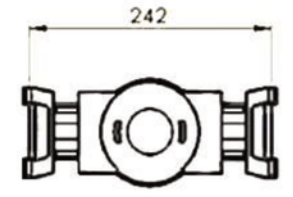
- | The clip can be rotated 360 degrees and adjusted to vertical or horizontal.
- | Compatible with all tabs having maximum thickness of 11 mm
- | Compact size for handy carry
- | Low-profile design to lower the risk to lift-up your laptop after securing
- | Master key option is available for enterprise users
- | Multipurpose applications for trade show, office, shop, school, library, and other public areas.



Product Dimensions



When Closed



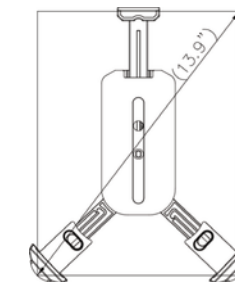
When Opened

LG-DA02

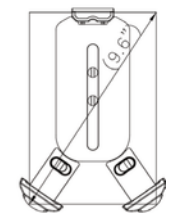


Features

- | The tablet holder can be rotated 360 degrees and adjusted to vertical or horizontal
- | Compatible with all tabs having maximum thickness of 11 mm
- | Compact size for handy carry
- | Low-profile design to lower the risk to lift-up your laptop after securing
- | Master key option is available for enterprise users
- | Multipurpose applications for trade show, office, shop, school, library, and other public areas.



When Opened



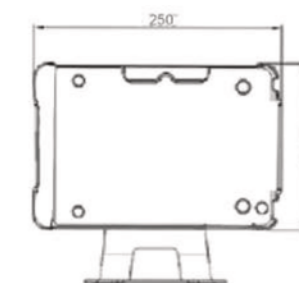
When Closed

LG-DE



Features

- | Anti-theft security device
- | Different viewing angles for convenient use
- | Compatible with iPad 1, iPad 2, new iPad, iPad 4, iPad Air 1 & iPad Air 2 series with maximum thickness of 10 mm
- | Master key option is available for enterprise users
- | Multipurpose applications for Trade Show, Office, Shop, School, Library, and other public areas



PRESENTATION DEVICES



LP-702

LP-702 is a great tool for powerpoint presentations. With it, you don't need to stand beside your computer or have an additional person to click the slide for you. It works as a laser pointer, a pc remote, and a multimedia keyboard. It comes with a transmitter and a USB receiver.

Features

- Page up/down
- USB plug and play, no need of driver
- Control Distance : Up to 15 m
- Laser Distance : Over 200 m
- Convenient to carry with leather pouch



Specification

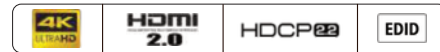
Technology	RF 2.4 GHz
Usages	Red laser Pointer, Page up/down, blank screen
Control Distance	15 m
Material	Plastic
Laser Output	<1mw <5mw
Installation	USB plug and play, no driver required
Applicable System	Supports any kind of operating system
Battery	AAA x1
Physical	
Product Weight	0.2 kg 0.4 kg
Shipping Weight	160 x 90 x 30 mm (L x W x H)
Shipping Dimension	

SWITCHING INTERFACES

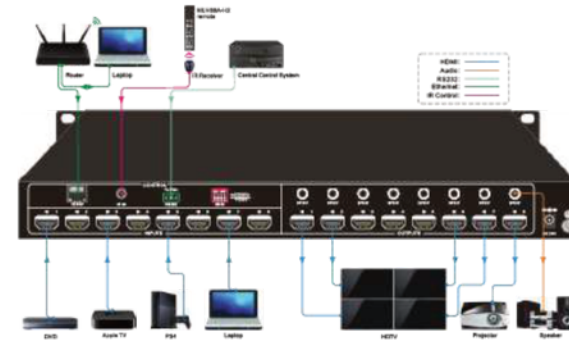


Matrix Switcher

LG-HMS8x8 4K 8 x 8 HDMI 2.0 MATRIX SWITCHER



This product is a professional 4K 8x8 HDMI2.0 Matrix Switcher with 8 HDMI inputs, 8 HDMI outputs, and 8 SPDIF audio outputs, which is designed for switching four HDMI2.0 and HDCP2.2 compliant signals. It also provides powerful EDID management to ensure reliable AV distribution and routing. You can control the unit via the front panel, IR, RS232, TCP/IP and web-based GUI.



Features

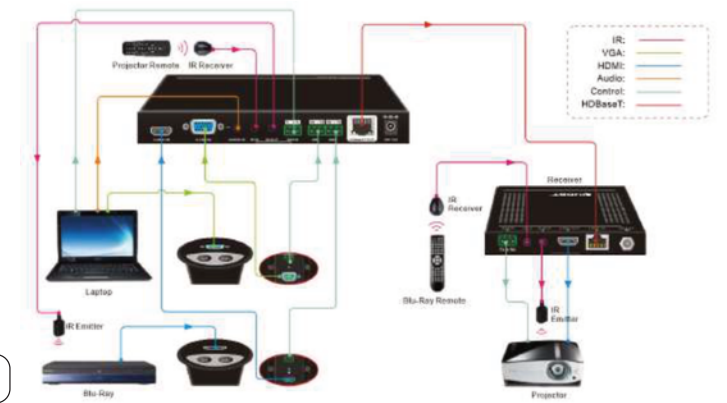
- | 8 SPDIF ports provide de-embedded HDMI audio output.
- | Supports 4Kx2K@60Hz 4:4:4 & 1080p 3D signals.
- | Supports HDMI 2.0, HDCP2.2 compatible, and is backward compatible to the earlier versions.
- | Transmits 4Kx2K@60Hz 4:4:4 signal up to 16.4 feet (5m) via HDMI port.
- | Provides powerful EDID management, built-in EDID can be invoked via DIP switcher on rear panel, RS232 command or web-based GUI.
- | Controllable via front panel button, IR, RS232, TCP/IP or web-based GUI.
- | LCD screen shows real-time I/O connection status.
- | Convenient firmware upgrade through Micro USB port.
- | Easy installation with rack-mounting design.

Specification

Input Signal	8 x HDMI
Input Connector	Type-A HDMI [19-pin female]
Output Signal	8 x HDMI; 8 x SPDIF audio
Output Connector	Type-A HDMI [19-pin female]; 1 x 3.5mm mini jack
Control Signal	1 x IR IN; 1 x TCP/IP; 1 x RS232
Control Connector	1 x 3.5mm mini jack; 1 x female RJ45; 1 x 3-pin pluggable terminal block
Video Signal	HDMI2.0 & HDCP2.2
Audio Signal	Dolby Digital, DTS, DTS-HD
General	
EDID management	In-built EDID data and manual EDID management
Resolution range	640x480@60Hz ~ 4Kx2K@60Hz 4:4:4, 1080P 3D
HDMI cable length	≤5m
Power supply	24VDC, 2.71A
Power consumption	21W
Product dimension (WxHxD)	437x 44x 236.5mm
Product weight	1.82Kg
Temperature	-10 °C ~ 55 °C
Relative humidity	10% ~ 90%
Shipping Weight	4 kg
Shipping Dimension (W x H x D)	550 x 350 x 150 mm

Presentation Switcher

LG-SS201M KIT 2 X 1 4K SCALER SWITCHER KIT



LG-SS201M KIT is a professional 4K Scaler Switcher Kit, which consists of a LG-SS201M Scaler Switcher, a LG-SS201MGH, and LG-SS201MGV table grommets. The LG-SS201M scales HDMI/VGA video signal to an HDBaseT output by selecting output resolution from 720p to 4K via OSD.

Features

- | Features 1 HDMI input and 1 VGA input with auxiliary audio input
- | The output resolution can be selected from 720p to 4kx2k@30Hz 4:4:4 to assure preferred output
- | Transmits 4K x 2K up to 131 ft. (40 m) or 1080p up to 230 ft. (70 m) via HDBaseT port
- | Supports volume control via buttons
- | Supports HDMI/VGA table grommets to control source switching and black screen showing
- | Automatically switch based on video sensing
- | Supports RS-232 pass-through to communicate control signal between the scaler and the connected HDBaseT matrix or receiver
- | Allows the connected source and display to be controlled via bi-directional IR pass-through remotely
- | Supports bidirectional PoH, the HDBaseT receiver can be powered by this KIT, or this KIT can be powered by receiver via HDBaseT port

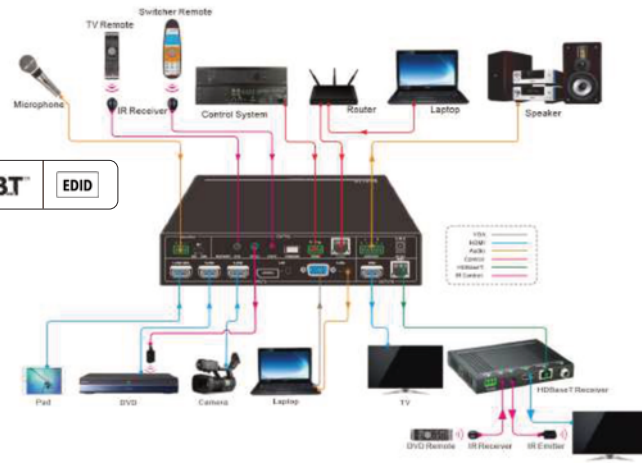
Specification

Input	1 x HDMI; 1 x VGA; 1 x AUDIO
Input Connector	1 x Type A Female HDMI; 1 x Female VGA (15-pin); 1 x 3.5 mm mini jack
Output	1 x HDBaseT
Output Connector	1 x Female RJ45 (with LED indicators)
Control	1 x IR IN; 1 x IR OUT; 1 x RS232; 1 x GRI; 1 x GR2
Control Connector	2 x 3.5 mm mini jacks; 3 x 3-pin phoenix connectors
General	
Input Resolution	HDMI: Up to 4K@60Hz 4:2:0, supports HDMI 1.4, and HDCP 2.2 compliant. VGA: Up to 1920 x 1200@60Hz.
Output Resolution	3840 x 2160@30Hz, 1920 x 1080@60Hz, 1080 x 720p@60Hz, supports HDMI 1.4 and HDCP 1.4 compliant.
I/P & O/P Cable Length	3 - 5 m
Transmission Distance	4K≤40m; 1080p≤70m (High-qualified Cat5e/6/7 STP cables with STP connectors)
Bandwidth	10.2 Gbps
EDID	In-built EDID Management
Power Supply	Input: 100 V~240 V AC; Output: 12 VDC 2A
Power Consumption	8 W
Operation Temperature	-10 °C ~ 40 °C
Storage Temperature	-15 °C ~ 55 °C
Relative Humidity	10% ~ 90%
Product Weight	0.303 kg
Shipping Weight	2 kg
Product Dimension (W x H x D)	195 x 23.6 x 100 mm
Shipping Dimension (W x H x D)	320 x 80 x 250 mm

Presentation Switcher

LG-SS501M

5 x 1 SCALER SWITCHER (PoH) WITH RECEIVER LG-HRx



LG-SS501M is a compact mini scaler switcher with 5 video inputs (1 HDMI/MHL, 2 HDMI, 1 DP and 1 VGA) and 3 audio inputs (1 DP external audio, 1 VGA auxiliary audio, and 1 MIC audio).

Features

- Supports CEC, with commands to enable/disable this function
- Supports video source auto-switching function
- VGA video supports C-video, YPbPr, and VGA
- 48 V phantom power to support condenser microphone
- MIC port supports balance/unbalance signal, suppress the external noise effectively
- 3-level MIC input, supports condenser microphone, dynamic microphone, and wireless microphone
- Powerful OSD function

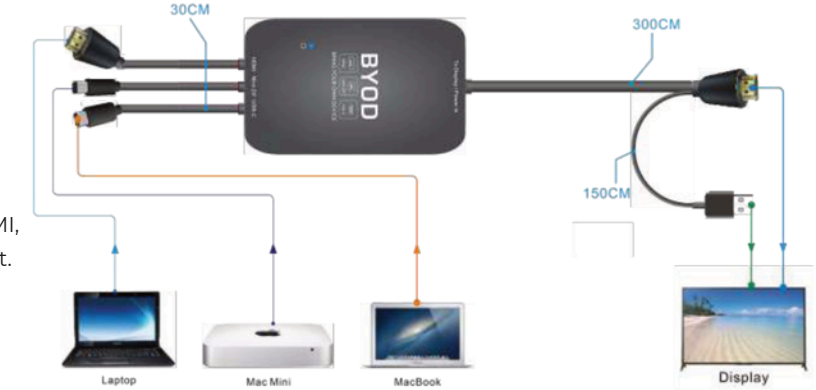
Specification

Video	
Video Input	1 x HDMI/MHL; 2 x HDMI; 1 x DP; 1 x VGA
Video Input Connector	3 x Female HDMI; 1 x Display Port; 1 x Female VGA (15-pin)
Input Video Signal	HDMI, DP, YPbPr, C-video, VGA
Video Output	1 x HDMI; 1 x HDBaseT
Video Output Connector	1 x Female HDMI; 1 x RJ45
Output Video Signal	HDMI, HDBaseT
Output Resolution	1920 x 1200, 1920 x 1080, 1600 x 1200, 1600 x 900, 1360 x 768, 1280 x 800, 1280 x 720, 1024 x 768
Audio	
Audio Input	1 x stereo audio input for DP; 1 x stereo audio input for VGA; 1 x Microphone audio
Audio Input Connector	2 x 3.5 mm Stereo jacks; 1 x 3-Pin phoenix connector 10kΩ 1 x Dual-Mono analog
Audio Input Impedance	audio 1 x 5-Pin phoenix connector 70Ω 20 Hz~20 kHz >80dB@1kHz
Audio Output	
Audio Output Connector	
Audio Output Impedance	
Frequency Response	
Stereo Channel Separation	
Control Part	
Control Port	
Control Connector	1 x IR IN; 1 x IR OUT; 1 x IR EYE; 1 x RS232; 1 x TCP/IP
General	
I/P & O/P Cable Length	
Transmission Distance	3 - 5 m
Temperature	1080P≤70m (CAT6 STP cables with STP connectors)
Humidity	0 ~ +50 °C 10% ~ 90% DC 24 V, 2.71A 27 W 0.8 kg 3 kg
Power Supply	220 x 44 x 172.5 mm 270 x 150 x 220 mm
Power Consumption	
Product Weight	
Shipping Weight	
Product Dimension (W x H x D)	
Shipping Dimension (W x H x D)	

Presentation Switcher

LG-3x1BYOD-P

3 x 1 PRESENTATION SWITCHER



LG-3x1BYOD-P is an HDMI 2.0 3 x 1 Multi-format Presentation Switcher converting AV signal from HDMI, Mini DP, and USB-C inputs to HDMI and USB-A output.

Features

- Powered via USB-A from display end
- Starts to scan from HDMI to USB-C and switch the first detected source to output
- Auto-detects the input signal, the last connected signal source will be switched to the output automatically
- Supports HDMI, Mini DP, and USB-C input signals to be converted to HDMI signals
- Supports HDMI input and output video resolutions up to 4K@30Hz 4:4:4 HDR and Dolby Vision
- LED for power indicating

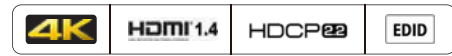
Specification

Input	Input
Input Resolutions	1 x Type A HDMI, 1 x Type C USB, 1 x Mini DP
HDMI Audio	HDMI: Up to 4K2K@60Hz 4:4:4, DP & USB-C: Up to 4Kx2K@30Hz 4:4:4
	LPCM 7.1 audio, Dolby Atmos®, Dolby®TrueHD, Dolby Digital® Plus, DTS:X™ and DTS-HD® Master Audio™ pass-through
Output	
Output	1 x HDMI Output Type A (19-pin male), 1 x Type A USB
Resolutions	Up to 4K2K@30Hz 4:4:4, HDR
Video General	
Max. Data Rate	10.2 Gbps
I/P & O/P Cable Length	0.3 m & 3 m, USB A - 1.5 m
Output Resolutions	Up to 4Kx2K@30Hz 4:4:4
DP Compliance	DP 1.2 Version
General	
Power Supply	Powered via USB A from display end
Power Consumption	1.8 W
Operation Temperature	-5 °C ~ +55 °C
Storage Temperature	-25 °C ~ +70 °C
Relative Humidity	10% ~ 90% (No condensing)
Product Weight	0.37 kg
Shipping Weight	0.80 kg
Product Dimension (W x H x D)	135 x 20 x 83 mm
Shipping Dimension (W x H x D)	410 x 520 x 580 mm

Presentation Switcher

LG-6x1BYOD-P

6 x 1 PRESENTATION SWITCHER



LG-6x1BYOD-P is a Multiformat Presentation Switcher converting AV signal from Lightning, USB-C, MINI DP, DP, HDMI type-A, and HDMI Type-D to HDMI.

Features

- Auto-detects the input signal, the last connected signal source will be switched to the output automatically
- Supports HDMI output video resolution up to 4Kx2K@30Hz4:4:4
- Supports Lightning, USB-C, MINI DP, DP, HDMI type-A, and HDMI Type-D input signals to be converted to HDMI signals
- Starts to scan from Lightning to HDMI Type-D and switch the first detected source to the output
- Supports HDMI, DP and USB input video resolution up to 4Kx2K@30Hz
- The Lightning device can be powered over the Lightning cable

Specification

Video Input	
Input	1 x Lightning, 1 x Type C USB, 1 x Mini DP, 1 x DP, 1 x Type A HDMI, 1 x Type D HDMI
Input Resolutions	Lightning Video Resolution: Up to 1080P@60Hz HDMI, DP, USB-C: Up to 4Kx2K@30Hz
Video Output	
Output	1 x HDMI Output Type A (19-pin female)
Video General	
Max. Data Rate	10.2 Gbps
I/P & O/P Cable Length	1.3 m & 4K@5 m, 1080P@15 m
Output Resolutions	Up to 4Kx2K@30Hz 4:4:4
EDID	Smart EDID Management
General	
Power Supply	Input: AC 100 - 240 V 50/60 Hz, Output: DC 24 V, 1.25A
Operation Temperature	-10 °C ~ +55 °C
Storage Temperature	-25 °C ~ +70 °C
Relative Humidity	10% ~ 90% (No condensing)
Product Weight	0.77 kg
Shipping Weight	1 kg
Product Dimension (W x H x D)	135 x 30 x 135 mm
Shipping Dimension (W x H x D)	410 x 550 x 610 mm

Solution Kit

LG-CWPRTx

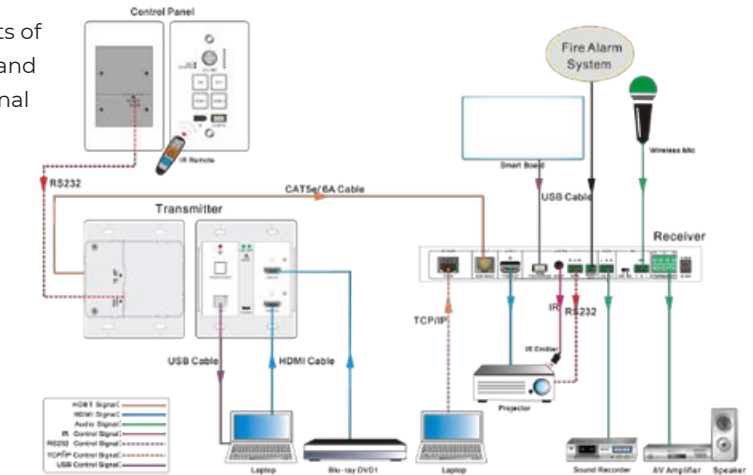
CLASS ROOM WALL PLATE TRANSMITTER AND RECEIVER



The kit designed to be used in educational schemes, consists of Scaler Wall Plate HDBaseT Transmitter, HDBaseT Receiver, and Control Panel. HDBaseT Transmitter provides two HDMI signal inputs, which support HDCP 1.4 and can be switched freely.

Features

- Switch freely between two HDMI signal inputs
- Output resolution up to 1920 x 1200@60Hz
- Supports MIC input
- 2x20W@4Ohm amplifier output
- Customizable control panel, support IR Learning
- Read and write the data of IR Learning
- Supports UPNP



Specification

	Transmitter	Receiver
Input Ports	2 x HDMI	1 x HDBT + Power, 1 x MIC
Input Connectors	19-pin Type A HDMI female	1 x RJ45, 1 x 3 pin pluggable terminal block
Output Port	1 x HDBT + Power	1 x HDMI, 1 x amplifier, 1 x Analog audio (LINE OUT)
Output Connector	RJ45	19-pin Type A HDMI female, 4 & 3-pin pluggable terminal block
Transmission Mode	HDBaseT	HDBaseT
Control Ports	1 x USB; 1 x Micro USB	1 x USB-A, 1 x IR Out, 1 x RS232, 1 x TCP/IP
Audio Format	-	HDMI embedded audio: PCM/Dolby/DTS MIC input audio: PCM, Analog output Audio: PCM
Resolution	1920 x 1080 (24/25/30/50/60Hz), 1920 x 1080i (50/60Hz), 1920 x 1080 (50/60Hz), 1600 x 900, 1366 x 768, 1280 x 720, 1920 x 1200, 1680 x 1050, 1440 x 900, 1360 x 768, 1280 x 800, 1600 x 1200, 1400 x 1050, 1280 x 1204, 1024 x 768, 800 x 600, 640 x 480	
Deep Color	24-Bit at 1920 x 1080 (24/25/30/50/60Hz) 4:4:4; 48-Bit at 1920 x 1080 (50/60Hz) 4:4:4	
I/P & O/P Cable Length	3 - 5 m	
Signal Extension	Up to 30 m@1080p/60 via Cat5e/6a STP cables with STP connectors	
Max. Data Rate	10.2 Gbps	
Relative Humidity	10% - 90%	
Operation Temperature	0 ~ +50 °C	0 ~ +50 °C
Dimension (W x H x D)	105 x 89 x 44 mm	250 x 31 x 130 mm
Net Weight	0.242 kg	0.642 kg
	Control Panel	
	1 x MICRO USB	
Program Ports	1 x Knob, 4 x buttons (ON, OFF, HDMI 1, HDMI 2) 1 x IR in-built sensor	
Others	1 x RS232 +POWER	
Output Port	0.14 kg	
Product Weight	3 kg	
Shipping Weight	114.70 x 34 mm	
Product Dimension (W x H x D)	300 x 420 x 80 mm	
Shipping Dimension (W x H x D)		

Distribution Extender

LG-HE1x4
HDMI DISTRIBUTION EXTENDER OVER
CAT 6/6A/7 CABLE



This HDMI extender splitter works with 4 HDMI CAT6 extender receivers to split and extend 1 HDMI source to 4 HDMI displays over single CAT6/6a/7 cable up to 40 m/131 ft.

Features

- Distributes 1 HDMI source to 4 HDMI displays over network cable simultaneously
- Supports one HDMI Loop-out
- The transmission distance is up to 40 m/131 ft.
- The highest resolution support is 1920 x 1080@60Hz
- Supports 20~60 Hz IR passback
- Supports EDID Setting function
- Supports power from transmitter to receiver unit over the CAT6 cable

Specification

HDMI Compliance	HDMI 1.3	
HDCP Compliance	HDCP 1.2	
I/P & O/P Cable Length	3 m	
Transmission Medium	CAT6/CAT6A/CAT7 STP cables with STP connectors	
Transmission Distance	Up to 40 meters transmission distance for 1080p 60Hz full HD over single CAT6	
Video Support	480i@60Hz; 480p@60Hz; 576i@50Hz; 576p@50Hz; 720p@50/60Hz; 1080i@50/60Hz; 1080p@50/60Hz	
Audio Support	PCM DTS AC3	
TMDs Signal	0.5 ~ 1.5Vp-p (TMDS)	
DDC Signal	5Vp-p (TTL)	
Latency	Zero-latency	
Supported Configuration	Support 1 Tx to 4 Rxs	
IR Passback	Support 20 ~ 60 kHz IR device	
Loop Out	Support	
Input	1 x HDMI	
Output	4 x RJ45, 1 x 3.5 mm jack (IR)	1 x HDMI
EDID Switch	Support	
Physical		
Power Supply	Transmitter-Tx	Receiver-Rx
Power Consumption	DC 5 V, 3A	Powered from Tx to Rx over CAT6 cable
Working Temperature	<15 W	
Storage Temperature	0 °C ~ +60 °C	
Relative Humidity	-20 °C ~ +70 °C	
Dimensions (L x W x H)	190 x 95.5 x 23.9 mm	71.6 x 66.6 x 22.6 mm
Product Weight	1 kg	
Shipping Weight	2 kg	
Product Dimension (W x H x D)	190 x 24 x 95.5 mm	71.6 x 22.6 x 66.6 mm
Shipping Dimension (W x H x D)	310 x 80 x 280 mm	

HDMI Extender

LG-HE100M(RS)-4K-H **NEW**
HDMI EXTENDER OVER HDBaseT - 100 METERS 4K



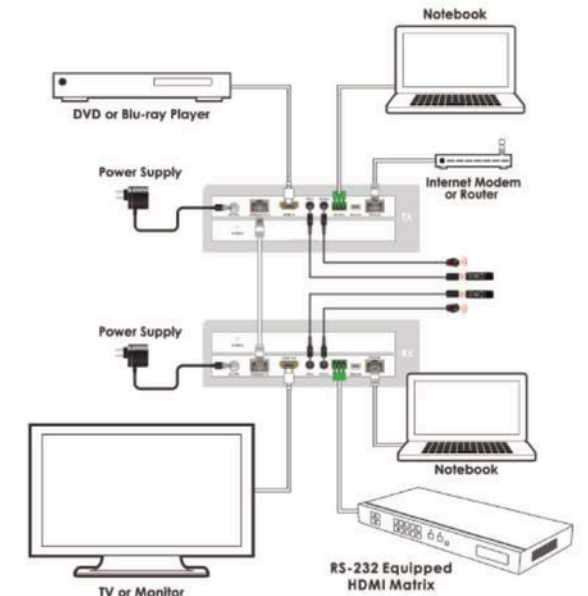
The 18 Gbps HDMI Extender is a tool which can extend your HDMI signal over 328 ft./100 m to a compatible display.

Features

- HDMI 2.0b (18 Gbps), HDCP 2.2 and DVI compliant
- Video resolution up to 4K2K@50/60Hz (YUV444)
- 10-bit HDR (High Dynamic Range) pass through
- Supports HDMI High Bit Rate (HBR) audio pass through
- Supports CEC bypass
- Supports PoC (Power over Cable)
- Transmission distance: Over CAT6 cable (STP Cable with STP Connectors)
 - 100 meters : 1080P@60Hz@12bit; 3D1080P@30Hz 12bit;
 - 70 meters : 1080P@60Hz@12bit; 1080P@120Hz@8bit; 4Kx2K@50/60Hz (YUV420), 4Kx2K@50/60Hz (YUV444)

Specification

TRANSMITTER	
Inputs	1 x HDMI Type A [19-pin female], 1 x IR INPUT [3.5 mm Stereo Mini-jack] 1 x RS232 [Phoenix jack], 1 x Service [Mini-USB jack] 1 x Ethernet In/Out[RJ45]
Outputs	1 x HDBaseT Out [RJ45], 1 x IR OUTPUT [3.5 mm Stereo Mini-jack]
RECEIVER	
Inputs	1 x HDMI Type A [19-pin female], 1 x IR INPUT [3.5 mm Stereo Mini-jack] 1 x RS232 [Phoenix jack], 1 x Service [Mini-USB jack], 1 x Ethernet In/Out[RJ45]
Outputs	1 x HDBaseT Out [RJ45], 1 x IR OUTPUT [3.5 mm Stereo Mini-jack]
VIDEO GENERAL	
Max. Data Rate	18 Gbps
I/P & O/P Cable Length	3 m
Video Resolution	Up to 4K60Hz 4:4:4, 4K2K@30Hz, 1080P@60Hz
Color Space	RGB/YCbCr 4:4:4, YCbCr 4:2:2
Color Depth	10, 12 & 16 bit
HDMI Audio Formats (Pass Through)	LPCM 2/5/7.1CH, Dobby Digital, DTS 5.1CH, Dobby Digital+, Dobby TrueHD DTS-HD Master Audio, Dolby Atmos, DTS:X
ESD Protection	Human Body model: ±8kV (Air-gap discharge), ±4kV (Contact discharge)
GENERAL	
Power Supply	Input: AC 100 - 240 V 50/60 Hz, Output: DC 24 V,1A (US/EU standards, CE/FCC/UL certified)
Power Consumption	24 W
Operation Temperature	0 °C ~ +40 °C
Storage Temperature	-20 °C ~ +60 °C
Relative Humidity	20% ~ 90% (No condensing)
Product Weight	Transmitter: 0.160 kg, Receiver: 0.173 kg
Shipping Weight	0.5 kg
Product Dimension (W x H x D)	157 x 20 x 90 mm
Shipping Dimension (W x H x D)	335 x 73.5 x 243 mm



USB Extender

LG-100U-H

USB 2.0 EXTENDER - 100 METERS



The USB2.0 extender can easily send the USB signals via CAT 5e/6 cables up to 100 meters /328 ft. at the transmission rate of 200 Mbps. Without any configuration or software driver. In a transmitter, the USB-B port has connected to a PC. In the receiver, you can connect a device with a USB port at the two USB ports such as a U disk or printer.

Features

- Supports USB2.0 protocol & transmission rate up to 200 Mbps.
- Extends signal transmission distance of a USB device up to 100 meters via CAT 5e/6 cable.
- Supports one USB-B port input in the transmitter.
- Supports two USB 2.0 ports output in the receiver.
- Supports PoC (Power Over Cable) either transmitter or receiver is powered through 12V/1A power adapter.
- The most cost-effective USB extender solution.
- No additional software driver required.

Specification

Transmitter	
Inputs	1 x USB [USB-B, female]
Outputs	1 x CAT [RJ45, female]
Receiver	
Inputs	1 x CAT [RJ45, female]
Outputs	2 x USB [USB-A, female]
General	
USB Standard	USB 2.0
Extender Distance	100 m
Connect Cable	CAT5E, CAT6 STP cables with STP connectors
Interface Type	USB A, USB B, RJ45
ESD Protection	Human-body Model: ±8kV (Air-gap discharge) , ±4kV (Contact discharge)
Power Supply	Input: AC100~240V 50/60Hz Output: DC 12V/1A
Transmitter Power Consumption	1.3W
Receiver Power Consumption	2.3W
Operating Temperature	0°C ~ 40°C
Storage Temperature	-20°C ~ 60°C
Relative Humidity	20~90% RH (No condensing)
Product Weight	Transmitter / Receiver: 100g
Shipping Weight	0.4 kg
Product Dimension	Transmitter / Receiver: 82mm (W)×49mm (D)×20mm (H)

USB Extender

LG-50U-H

USB 2.0 EXTENDER - 50 METERS



The USB2.0 extender can easily send the USB signals via CAT 5e/6 cables up to 50 meters /164 ft. at the transmission rate of 480 Mbps. Without any configuration or software driver. In a transmitter, the USB-B port has connected to a PC. In the receiver, you can connect a device with a USB port at the two USB ports such as a U disk or printer.

Features

- Supports USB2.0 protocol & transmission rate up to 480 Mbps.
- Extends signal transmission distance of a USB device up to 50 meters via CAT 5e/6 cable. (Note: The transmission distance can only be up to 40 meters / 131.2ft for some USB 2.0 Hub)
- Supports one USB-B port input in the transmitter.
- Supports two USB 2.0 ports output in the receiver.
- Receiver is powered supply by connecting 5V/1A power adapter.
- The most cost-effective USB extender solution.
- No additional software driver required.

Specification

Transmitter	
Inputs	1 x USB [USB-B, female]
Outputs	1 x CAT [RJ45, female]
Receiver	
Inputs	1 x CAT [RJ45, female]
Outputs	2 x USB [USB-A, female]
General	
USB Standard	USB 2.0
Extender Distance	50 m (Note: The transmission distance can only up to 40 meters for some USB 2.0 Hub)
Connect Cable	CAT5E, CAT6 STP cables with STP connectors USB A, USB B, RJ45 Human-body Model: ±8kV (Air-gap discharge) , ±4kV (Contact discharge)
Interface Type	USB A, USB B, RJ45
ESD Protection	Input: AC100~240V 50/60Hz Output: DC 5V/1A 0.7W 1W 0°C ~ 40°C -20°C ~ 60°C
Power Supply	20~90% RH (No condensing) Transmitter / Receiver: 100g 0.4 kg
Transmitter Power Consumption	Transmitter / Receiver: 82mm (W)×49mm (D)×20mm (H)
Receiver Power Consumption	
Operating Temperature	
Storage Temperature	
Relative Humidity	
Product Weight	
Shipping Weight	
Product Dimension	

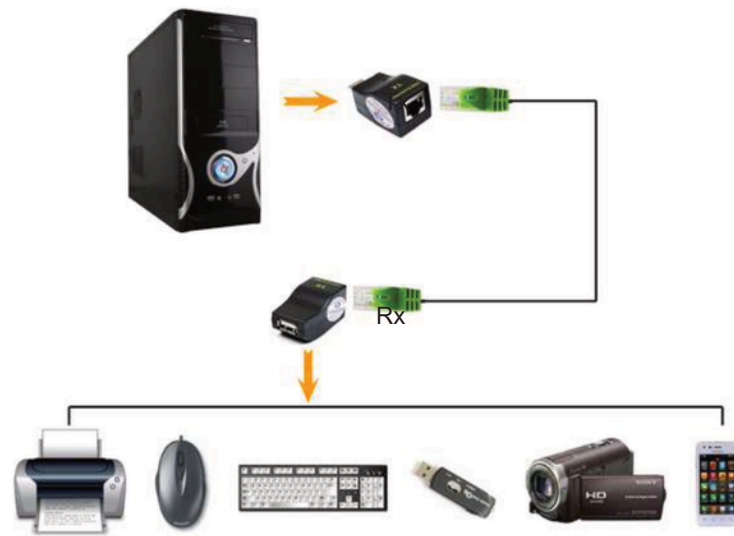
Extender

LG-50U

USB EXTENDER



LG-50U USB EXTENDER comprises a sender unit and a receiver unit which are connected by CAT5/CAT5E/CAT6 STP cable. It can extend the USB up to 50 m.



Features

- Extends signal transmission distance of a USB device up to 50 m via a Cat 5/5e/6 cable
- Hot-Pluggable
- The most cost-effective USB extender solution
- No additional software driver required

Specification

Extender Distance	50 m
Connect Cable	Cat5, Cat5e, Cat6 Stp cables with STP connectors
USB Standard	USB 1.1
Transmitter	Usb Male
Receiver	Usb Female
Interface Type	USB A, USB B, RJ45
Support System	Windows 98Se/Me/2000/Xp, Linux
Power	No External Power Required
Product Weight	0.150 kg
Shipping Weight	0.4 kg
Product Dimension (W x H x D)	48.7 x 24 x 26.5 mm
Shipping Dimension (W x H x D)	150 x 50 x 90 mm

Receiver

LG-HRx

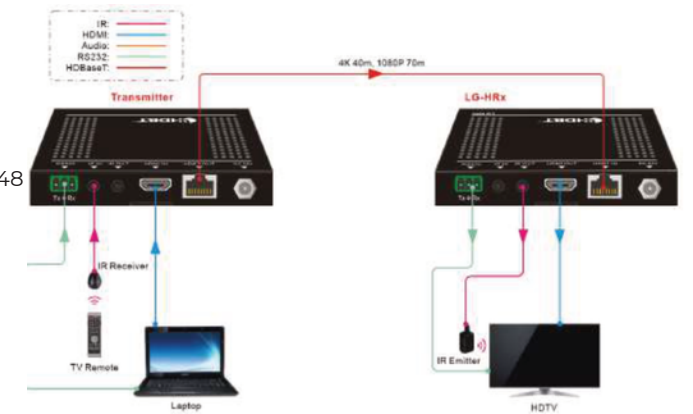
HDBaseT RECEIVER



LG-HRx is a mini-size HDBaseT Receiver designed with HDBaseT technology to transmit high-resolution 1080p/4K signal from HDBaseT Transmitter to the LG-HRx via a CAT5e/CAT6a cable at a distance up to 70/40 m. Moreover, LG-HRx supports CEC, bi-directional RS-232 & IR control, and unidirectional PoH function.

Features

- Supports Full HD delivers high resolution image (1080p@60Hz@48 b/pixels/3D/4Kx2K)
- Maximum transmission distance is 70 m for 1080p and 40 m for 4Kx2K over single CAT5e/CAT6a cable
- High Bandwidth: 10.2 Gbps
- HDTV Compatible, use HDMI 1.4, and HDCP 2.2 compliant
- Supports CEC/IR/RS-232 pass-through
- Supports PoH, the LG-HRx can be powered by HDBaseT Transmitter
- Bi-directional RS-232/IR control
- Uses HDBaseT technology
- LED indicators show work status
- Suitable for LG-SS201M and LG-WP-TR



Specification

Input Signal	1 x IR; 1 x RJ-45; 1 x RS232
Input Connector	1 x 3.5 mm Mini Jack; 1 x RJ-45; 1 x 3-pin Terminal Block
Audio	Digital audio, Transmit through HDMI audio
Output	1 x HDMI; 1 x IR; 1 x RS232
Output Connector	1 x HDMI female; 1 x 3.5 mm mini jack; 1 x 3-pin Terminal Block
General	
I/P & O/P Cable Length	3 m
Resolution Range	640 x 480@60Hz to 4Kx2K@30Hz
Transmission Mode	HD BaseT
Transmission Distance	1080p≤70 m; 4Kx2K≤40 m through STP cables with STP connectors
Max. Data Rate	10.2 Gbps
Impedance	75Ω
Temperature	-20 °C ~ +70 °C
Humidity	10% ~ 90%
Power Supply	Input: 100 VAC~240 VAC, 50/60 Hz Output: DC 24 V, 1.25A
Power Consumption	11 W
Product Weight	0.150 kg
Shipping Weight	0.700 kg
Product Dimension (W x H x D)	115 x 16 x 84 mm
Shipping Dimension (W x H x D)	190 x 130 x 160 mm

Scaler

LG-HVAD
HDMI TO VGA CONVERTER



LG-HVAD accepts one HDMI input and converts into one VGA output signal.



Features

- No need any software, plug and play
- All the hardware conversion processing, with images of high defntion, adequate brightness, and high image quality
- Supports HDMI 1.3 version, automatic detection HDCP

Specification

HDMI Input Support	480p/720p/1080p/60Hz, 50Hz
VGA Output Resolution	Will change with the input of the HDMI signal change 1280*720@60Hz, 50Hz
Audio Output	Analog Stereo Audio (0.5 ~ 1.5 Voltsp-p)
Power Input	DC5 V, 0.5A
HDMI Input	Connect PS3/XBOX360/PC; Graphics/HD Player/Blu-ray DVD/HD Set-top Box/Notebook Computers
VGA Signal Output	Connect the projector or LCD/LED Monitor
Audio Output	Connect stereo amplifier or headset
Product Weight	0.2 kg
Shipping Weight	0.4 kg
Product Dimension (W x H x D)	100 x 20 x 80 mm
Shipping Dimension (W x H x D)	110 x 90 x 90 mm

Relay Controller

LG - 4RLC
4 CHANNEL RELAY CONTROLLER - HVC



This device helps to control the electric appliances like motor and projector through local keypad or Remote Keypad or RS-232 interface by sitting in a single place.

Features

- Easy to install-plug in and play type
- Can switch 230 VAC/8A devices
- Individual Relay controlled through
 - Individual local keypad
 - RS-232 Interface
 - Remote keypad (Optional)
- LED indication for all Relays
- 3 bit Dip switch (For RS-232)
- Set of Two relays will operate in pair. If one is ON then other will be OFF
- Using Unit Identifier, up to 48 Relays can be operated through single RS-232 Controller
- Memory retention is provided
- RS-232 and Relays are optically isolated

Specification

No. of Relays	4 2 2
Output-3 PIN Captive Screw 230 v, 8A (L,N,E)	Power and Relay 1 to 4
Output 4 Pin Captive Screw (F,L,N,E)	1 to 4 DIP Switch D9 F
LED Indication	3 Bits (Switch 6,7,8)
Keypad Selection	2 Bits 230 VAC 1 U 1
Manual/RS-232 Select Switch	2.0 kg 3.0 kg
RS-232 Interface	420 x 40 x 190 mm
Unit Identifier Code	490 x 90 x 250 mm
Exclusive Relay Mode	
Main Input	
Dimension (RACK 19 INCH)	
Input Power Terminal Block 230 VAC	
Product Weight	
Shipping Weight	
Product Dimension (W x H x D)	
Shipping Dimension (W x H x D)	

AV CONSUMABLES



Type-C USB to HDMI



DP to HDMI



DP to DP Cable



HDMI Connector



HDMI Connector



DVI to HDMI Connector



XLR Connector



Cable Duct

TRADE SHOWS



Divya Electricals

Chennai

Contact:

9841260168

96009984212

044-4216 5795

divyaelectricalschennai@yahoo.co.in