

CM ERGOSYS

CRAFTED MODERN ERGONOMIC SYSTEM



LINEAR HEIGHT ADJUSTABLE TABLE

- ▶ Dual motor **three Stage** with bluetooth connectivity
- ▶ Control panel with digital display
- ▶ Four memory presets to store preferable heights
- ▶ With anti collision mechanism
- ▶ Frame Length Adjustable 1050 to 1600 mm
- ▶ Available Colour : White , Black , Silver Grey

Adjustable Height : 620 mm to 1280 mm

Maximum Load Capacity: 120KG

Minimum Table Top Size : 600 x 1100 mm

Maximum Table Top Size : 750 x 1800 mm



CM HAT 2M 3S



CM HAT 2M 2S

LINEAR HEIGHT ADJUSTABLE TABLE

- ▶ Dual motor **two Stage** with bluetooth connectivity
- ▶ Control panel with digital display
- ▶ Four memory presets to store preferable heights
- ▶ With anti collision mechanism
- ▶ Frame Length Adjustable 1050 to 1600 mm
- ▶ Available Colour : White

Adjustable Height : 700 mm to 1200 mm

Maximum Load Capacity: 120KG

Minimum Table Top Size : 600 x 1100 mm

Maximum Table Top Size : 750 x 1800 mm

HEIGHT ADJUSTABLE CONFERENCE TABLE

- ▶ Three Motor linear frame with bluetooth connectivity
- ▶ Control panel with digital display
- ▶ Four memory presets to store preferable heights
- ▶ With anti collision mechanism
- ▶ Available Colour : White , Black , Silver Grey
- ▶ Available in Two Stage and Three Stage

Maximum Load Capacity: 180 KG/Frame

Minimum Table Top Size : 600 x 1950 mm

Maximum Table Top Size : 800 x 3050 mm



CM HAT 3M 3S C



CM HAT 3M 3S L

L SHAPE HAT

- ▶ Three Motor L shape frame with bluetooth connectivity
- ▶ Control panel with digital display
- ▶ Four memory presets to store preferable heights
- ▶ With anti collision mechanism
- ▶ Length adjustable
- ▶ Available Colour : White , Black , Silver Grey
- ▶ Available in Two Stage and Three Stage

Maximum Load Capacity: 180KG

Other Model : Three Motor 120° Desk Frame

BACK TO BACK HAT

- ▶ Four motor frame with bluetooth connectivity
- ▶ Control panel with digital display
- ▶ Four memory presets to store preferable heights
- ▶ With anti collision mechanism
- ▶ Available Colour : White , Black , Silver Grey
- ▶ Available in Two Stage and Three Stage

Maximum Load Capacity: 120KG/Frame



CM HAT 2M 3S B2B



CM HAT 1M 3S SC

ROUND / SQUARE SINGLE COLUMN HAT

- ▶ One Motor Single Column frame with Bluetooth connectivity
- ▶ For Small Round or Square Table
- ▶ Control panel with digital display
- ▶ Four memory presets to store preferable heights
- ▶ With anti collision mechanism
- ▶ Available Colour : White , Black , Silver Grey
- ▶ Available in Two Stage and Three Stage

Maximum Load Capacity: 60 KG

Table Top Size

Round : Ø 600 to 900 mm

Square : 600 x 600 mm to 900 x 900 mm

MANUAL ADJUSTABLE TABLE

- Two Stage Manual Height Adjustable Table frame
- Hand Crank can be fitted on front and lateral sides
- Easy to Operate, smooth to lift
- Available Colour : White , Black , Grey

Adjustable Height : 735 mm to 1195 mm

Maximum Load Capacity: 80KG

Minimum Table Top Size : 600 x 1100 mm

Maximum Table Top Size : 750 x 1800 mm



CM MANUAL 2S

CM FOLDABLE TABLE

CM FOLD

- Easy Folding operation with knob from both side.
- All four lockable castors.
- With Modesty Panel Brackets.
- Stackable.
- Available Colour : White
- Available with optional Bookshelf



CM Fold E1 4 ft

Product Code	Suitable For Table Top Size
CM Fold E1 4 ft	600/750 x 1200 mm
CM Fold E1 5 ft	600/750 x 1500 mm
CM Fold E1 6 ft	600/750 x 1800 mm

- ▶ Easy access to connectors with classy arrangement on table
- ▶ Connect cables to connectors even the flap is closed
- ▶ Available Colour : Metallic Silver Grey, Frosty White, Black
- ▶ Available Modules : 4, 6, 8, 10, 12, 14
- ▶ Available with optional door soft closure



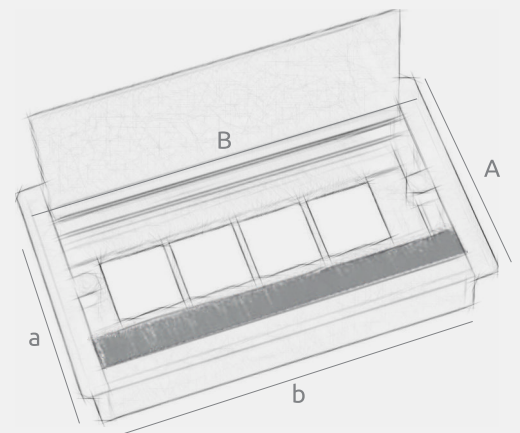
8 Module

Available Sizes :

Modules	4	6	8	10	12	14
Cutout (mm) (a x b)	138 x 158	138 x 208	138 x 258	138 x 308	138 x 358	138 x 408
Out to Out (mm) (A x B)	155 x 175	155 x 225	155 x 275	155 x 325	155 x 375	155 x 425

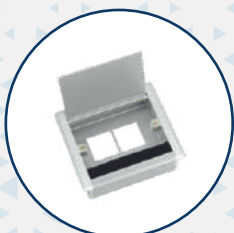
Available Connectors :

USB Charger Universal Power	HDMI Data	VGA Audio	USB Data Switch
--------------------------------	--------------	--------------	--------------------

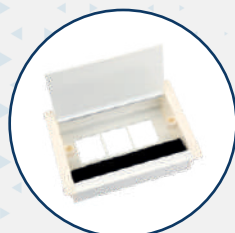


Applications :

Conference Rooms, Meeting Rooms, Board Rooms, Workstations, Lab Furniture, Home Office



4 Module



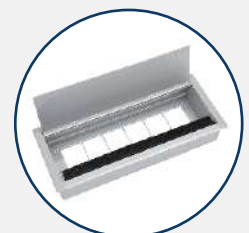
6 Module



8 Module



10 Module



12 Module

- ▶ Easy access of connectors placed inside or bottom of the table top
- ▶ Connect cables to connectors even the flap is closed
- ▶ Available Colour : Metallic Silver Grey, Frosty White, Black
- ▶ Available with optional door soft closure
- ▶ 3 Way Opening flap
- ▶ Customized lengths and colour possible to meet your requirements



Available Sizes :

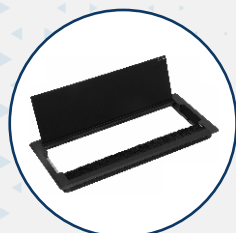
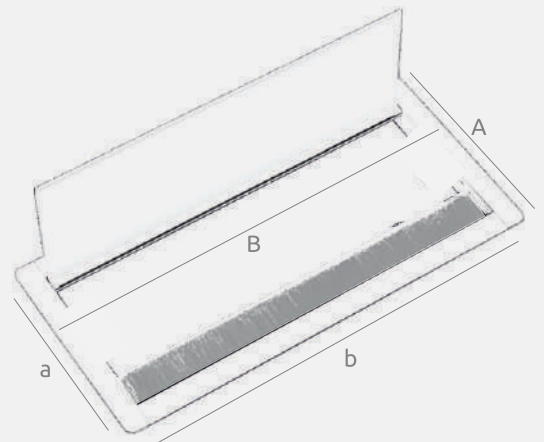
Door / Access Size	300	350	400	450	600
Cutout (mm) (a x b)	132 x 316	132 x 366	132 x 416	132 x 466	132 x 616
Out to Out (mm) (A x B)	150 x 332	150 x 382	150 x 432	150 x 482	150 x 632

Features:

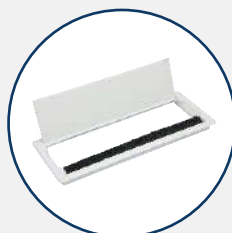
Keep the table organized yet gives an easy access to connectors below table top.

Applications :

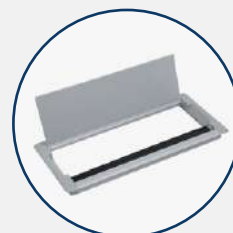
Workstations, Lab Furniture, Home Office, Conference Rooms, Meeting Rooms, Board Rooms



BLACK



WHITE



SILVER GREY

- ▶ Elegant design best suits to Executive Desk and conference room
- ▶ Plug-ins can be accessed from both sides
- ▶ 180° rotation to open and to close
- ▶ Various lengths and configurations are possible
- ▶ Available Colour : Silver , Black



Available Sizes :

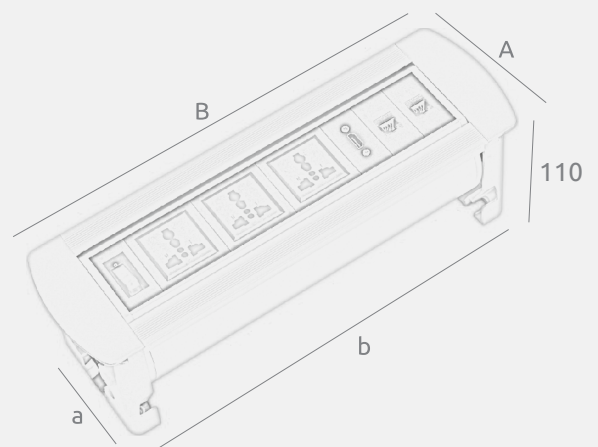
Modules	4	6	8	10	12	14
Cutout (mm) (a x b)	103 x 160	103 x 213	103 x 266	103 x 318	103 x 370	103 x 424
Out to Out (mm) (A x B)	110 x 190	110 x 243	110 x 296	110 x 348	110 x 400	110 x 454

Features :

Pre-wired connection enables plug and play use of Power, Data, USB Charger A+C, HDMI, VGA, Audio, USB modules.

Applications :

Conference Rooms, Meeting Rooms, Board Rooms, Executive Desk, Workstations, Home Office



- ▶ Pre – wired, easy to install
- ▶ 180° Rotation by pressing the button
- ▶ Break beam sensors ensure safety closer.
- ▶ Configuration :
3 Universal Sockets, USB Charger A+C ,
2 data cat 6, HDMI
- ▶ Colour : Silver / Black
- ▶ Customization : Upon Request

Cutout Dimension : 103 x 397 mm

Out to out Dimension : 110 x 427 mm



CM SLIDING



- ▶ Elegant design best suits to Executive Desk and Conference Room
- ▶ Smooth Sliding Panel
- ▶ Configuration : 2 Universal Sockets, 1 USB A+C Charger , 1 Data Cat 6 , 1 HDMI
- ▶ Colour : Silver / Black
- ▶ Customized : Upon Request

Cutout Size : 221 x 49 mm

Out to out Dimension : 265 x 76 mm

- ▶ Add a touch of elegance and class to conference room
- ▶ Smooth Operation to open and close
- ▶ **CM ETB 161** : 4 Universal Sockets
CM ETB 162 : 3 Universal Sockets ,
USB Charger A+C
- ▶ Colour : Silver / Black

Cutout Dimension: 110x225mm

Out to out Dimension: 118x265mm



CM ETB 161



CM ETB 162



CM ETB 163



CM ETB 164

- ▶ Add a touch to your Workspace
- ▶ Smooth Operation to open and close
- ▶ **CM ETB 163** : 2 Universal sockets , 2 Data Cat 6, USB Charger A+C
CM ETB 164 : 2 Universal sockets , 2 Data Cat 6, HDMI , USB Data ,
Audio, VGA
- ▶ Colour : Silver / Black

Cutout Dimension: 110x225mm

Out to out Dimension: 118x265mm

- ▶ Solo Power Manager
- ▶ Compact design with Elegance Look
- ▶ Configuration : Universal Socket, USB A+C Connecting ports, Cat 6, HDMI
- ▶ Colour : White / Black
- ▶ Customized : Upon Request
- ▶ Material : Polycarbonate

Cutout Size : 176 x 48 x (R – 24) mm
Outer Dimension : 182 x 53 mm



CM DESKPORT FLAP



- ▶ Add a touch of elegance and class to Workspace.
- ▶ Power Cubby Flap with Sockets
- ▶ Pre Wired easy to install
- ▶ Configuration :
3 Power Sockets, 2 USB Charger (A Type), Cat 3, Cat 6, With 1.5 meter power cord.
- ▶ Color : Silver

Cutout Size : 148 x 310 mm
Out to Out Size : 158 x 325 mm

- ▶ Easy mounting with clamp on edge of tabletop
- ▶ Clamp mechanism allows to change position if required
- ▶ Most suited to sit and stand desk structure
- ▶ Various lengths and configurations are possible

Features:

Pre-wired connections enable plug and play use of Power, Data, USB Charger A+C, HDMI, VGA, Audio, USB modules.



CM POWER TRACK



- ▶ Compact Power & Data Track
- ▶ Customizable configuration :
Trackable Adapters: Power Socket, USB Charger
Shielded Multimedia Connectors: Cat 6, Cat 3, USB Data, USB Charger HDMI, Blank Plate
- ▶ Available Colors: Silver & Black
- ▶ **Other Models :** 1 Way, 2 Way, 3 Way Free Standing Tower Tracks

Standard Length: 600 / 800 / 1000 / 1200 mm

Mounting : Surface Mount / Conceal Mount

- Push & Pop Up Mechanism
- Qi Standard Wireless Charging Feature
- Configuration :
Wireless Charger 15W, USB Charger A & C Type , 4 Universal Sockets With 1.5 meter power cord.
- Finish : Black / White
- Material : Polycarbonate

Cutout Dimension: Ø 100mm

Outer Dimension :

Height 193 mm / 261 mm (after pop-up)



CM SPU P1

CM PUSH-UP



CM SPU E1

- Push & Pop Up Mechanism
- Smart Fast Charging with 3 USB Ports
- Configuration : 2 USB A Charger ,
1 USB C Charger , 4 Universal Sockets
With 1.5 meter power cord
- Finish : Black / White
- Material : Polycarbonate

Cutout Dimension: Ø 85mm

Outer Dimension :

Height 173 mm / 243 mm (after pop-up)

- ▶ Fast Wireless Charging up to 15W With 1.5 meter power cord
- ▶ Flush with Table Top
- ▶ Economical option for large deployments
- ▶ Supports all Qi Wireless Charging devices
- ▶ Color : White / Black

Cutout Dimension: ∅ 60 mm



CM WC E1

CM WIRELESS - CONCEALED



CM WC S1

CM WC P1

- ▶ Fast Wireless Charging up to 15W With 1.5 meter power cord
- ▶ No Stress of Spills
- ▶ Attached under the table – Truly Invisible!
- ▶ Supports all Qi Wireless Charging devices
- ▶ Additional USB A Type Charger (15W) in CM WC P1

Product	Charge upto	Diameter	Output
CM WC S1	15 mm	98.5 mm	10 W
CM WC P1	28 mm	123 mm	15 W

- ▶ Easy access to connectors with Classy arrangement on table
- ▶ Manual Type Table Top Box
- ▶ High Grade Quality, easy to install
- ▶ Configuration : 2 Universal Power, 2 USB A Type Charger, 6 Holes for Cables
- ▶ Colour : Black

Cutout Size : 133 x 202 mm

Outer Dimension : 148 x 230 mm



CM PRO



- ▶ Non-stop connectivity for conference tables, meeting rooms, and educational rooms
- ▶ Uninterrupted work flow and better handling of wires & plugs
- ▶ Add a touch of elegance and class to office settings
- ▶ **Connectors :** 2 Universal Power, 2 RJ45, HDMI, VGA, AUDIO, USB Data
- ▶ Colour : Black

Features : All female to female cables are made from very high grade connectors.

Cutout Dimension : 135 x 185mm

Out to out Dimension : 150 x 205mm

- ▶ 360° Rotating ,Adjustable Gas Spring Mechanism
- ▶ Tilt, Swivel, Height Adjust and Pivot Functions
- ▶ Accommodates Monitors Up to 13"-32"
- ▶ Supports Monitors Up to 2-9 kg
- ▶ Offers Both Clamp and Flange Mounting Solutions.
- ▶ Colour : Graphite Grey

VESA MOUNT : 75 x 75 mm - 100 x 100 mm



CM GS S1



CM GS S2



CM GS P1



CM GS P2

- ▶ 360° Rotating ,Adjustable Gas Spring Mechanism
- ▶ Tilt,Swivel,Easily adaptable to your preferred position
- ▶ Accommodates Monitors Up to 13"-32"
- ▶ Supports Monitors Up to 2-9 kg
- ▶ Quick Lock VESA Mount
- ▶ Offers Both Clamp and Flange Mounting Solutions.
- ▶ Colour : Metallic Silver Grey

VESA MOUNT : 75 x 75 mm - 100 x 100 mm

- ▶ Keep cables concealed and organized
- ▶ Add or subtract individual vertebrae as per required length
- ▶ Quad way design to separate cables
- ▶ Protects cables from wear and tear
- ▶ Flexible and curvy design
- ▶ Available Colour : White , Black , Grey

Available Sizes :

Standard Length 750mm.
For sit and stand desk length 1200mm.
Length can be customized if required.



CM HOLDER



- ▶ Easy installation from top of the table
- ▶ Suitable for any partition of MDF, glass, acrylic etc
- ▶ Width adjustable from 4 to 12 mm
- ▶ Optional arrangement can be done for 12 to 20mm partition
- ▶ Available Colour : White , Black , Grey,
Customised on request

Features : Three variants with clamp.

For side by side sitting.

For back to back sitting.

Clamping to existing partition to raise height.

- High grade aluminum material
- Very light in weight compare to MS lift
- With tubular motor for accurate and long lasting performance
- Cable track system to hide and protect cables
- Drop Down : 3 feet, 6 feet, up to 10 feet

Load Capacity : Standard motor 18KG and heavy motor 50KG.

Control Option: RF | Dry Contact | Trigger IR | RS 232 or 485.



CM 50 LEG



L Connector T Connector

CM 50 LEG

- Premium Modular Design
- No corrosion, Life long aluminum leg and connectors
- Can make table frame with MS Pipes
- Leg Height : 725 mm
- Connector : L / T
- Finishing : Powder Coated / Chrome (Any Colour Possible for MOQ)



- ▶ Elegant and truly modular design
- ▶ No corrosion, Life long aluminum leg and connectors
- ▶ Can make table frame with MS Pipes
- ▶ Leg Height : 725 mm
- ▶ Connector : L / T
- ▶ Finishing : Powder Coated / Chrome (Any Colour Possible for MOQ)



CM 20 LEG



L Connector T Connector

CM MS CONNECTOR

- ▶ Elegant and smart modular design
- ▶ No corrosion, Life long aluminum connectors
- ▶ Can make table frame with MS Pipes
- ▶ Connector Height : 100 mm
- ▶ Connector : L / T
- ▶ Finishing : Powder Coated (Any Colour Possible for MOQ)



CM MS L Connector



CM MS T Connector

Applications:

Executive Table, Conference Room Table, Desking Table, Workstation

- ▶ Height Adjustable TV Trolley With Lockable Wheels (Colour : Matte Black)
- ▶ Free Tilting Design : For Multiple Monitor Viewing Angles
- ▶ Frame Material : MS
- ▶ **CM TV Trolley 100 :**
Maximum Weight Capacity : 50 kg
TV Size : 32" to 72"
VESA : 200 x 200 mm to 600 x 400 mm

Applications :

Ideal Use For Commercial Purpose Such As Schools, Hotel, Conference Room, Exhibitions, Etc



- ▶ Height Adjustable TV Trolley With Lockable Wheels (Colour : Matte Black)
- ▶ **CM TV Trolley 200 :**
Maximum Weight Capacity : 75 kg
TV Size : 32" to 70"
VESA : 200 x 200 mm to 600 x 400 mm
- ▶ **CM TV Trolley 300 :**
Maximum Weight Capacity : 120 kg
TV Size : 32" to 110"
VESA : 200 x 200 mm to 900 x 600 mm

Applications :

Ideal Use For Commercial Purpose Such As Schools, Hotel, Conference Room, Exhibitions, Etc

- Height Adjustable TV Trolley With Lockable Wheels (Colour : Matte Black)
- **CM TV Trolley 1500 :**
Maximum Weight Capacity: 45.5 kg
TV Size : 32" to 75"
VESA : 100 x 100 mm to 600 x 400 mm
- **CM TV Trolley 1800 :**
Maximum Weight Capacity : 90.9 kg
TV Size : 55" to 90"
VESA : 200 x 200 mm to 800 x 500 mm

Applications :

Ideal Use For Commercial Purpose Such As Schools, Hotel, Conference Room, Exhibitions, Etc



- Height Adjustable TV Trolley With Lockable Wheels
- Free Tilting Design : For Multiple Monitor Viewing Angles
- Colour : Matte Black
- **CM TV Trolley Y-12 :**
Maximum Weight Capacity : 180 kg
TV Size : 55" to 120"
VESA : 1200 x 600 mm

Applications :

Ideal Use For Commercial Purpose Such As Schools, Hotel, Conference Room, Exhibitions, Etc



CRAFTED MODERN ERGONOMIC SYSTEM

Installations

Abb India Limited

Airtel

Bajaj Allianz

Biocon

BTL

Coworks

Dell

Godrej

IIM

Kirloskar

Marwadi

Mistral

Airbus

Axis Bank

Bank Of India

Boeing

Cipla

Data dimensions

GE

HAL

Infosys

Kotak

Mercedes Benz

TCS

Mfg. & Mkt. By :
Divya Electricals
104/ A-1, Govindappa Naicken Street,
Chennai-600001
PH- 9841260168, 9600998412

Authorised Dealer